

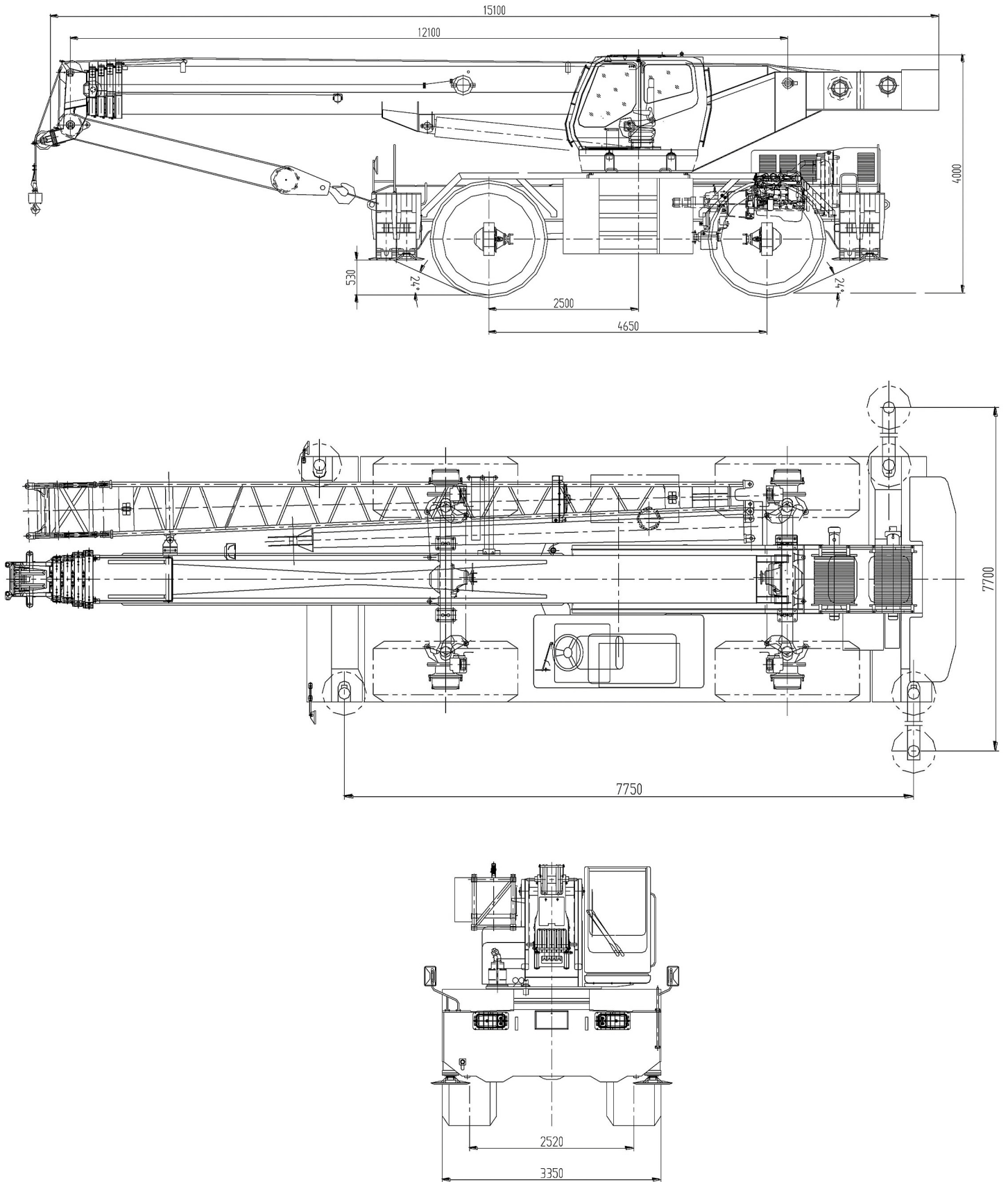


POWERPLUS[®]
POWERPLUS GROUP INC., USA



ROUGH TERRAIN CRANE
PRTC1000S-V

DIMENSION



SPECIFICATION

Overall length: (mm) 15100

Overall width: (mm) 3350

Overall height: (mm) 4000

Axle base: (mm) 4650

Tread: (mm) 2520

Overall weight: (kg) 56000

Min.ground clearance: (mm) 580

Max.speed: (km/h) 35

Max.gradeability: (%) 50

Approach angle: (°) 20

Departure angle: (°) 20

ENGINE

Model: Cummins ISDe 310 30

Max. power: (HP) 310

Rated speed: (rpm) 2100

Max. torque: (N.m/rpm) 1200 /1000-1700

PERFORMANCE

Max. total rated lifting load: (T) 100

Min. rated working radius: (m) 3

Min. turning radius: (m) 8

Swing speed: (r/min) 2

Outrigger span (Longitudinal): (m) 7.75

Outrigger span (Lateral): (m) 7.7

Base boom: (m) 12.1

Fully extended boom: (m) 46.5

Fully-extended boom+jib: (m) 65.18

Base boom: (kN.m) 3305

BRAKE

Service / Parking brake: Hydraulic disc brake (MICO)

WORKING SPEED

Luffing

Raising: (sec) 160

Telescoping

Fully extended: (sec) 150

TRANSMISSION

Type: Electrically controlled shifting

No. of Gears: 6 Forward, 3 Reverse

Drive Axle: 4 Wheel Drive

AXLE

Brand: Kessler (Germany)

Front axle weight: (kg) 23800

Rear axle weight: (kg) 26000

TIRE

Size: 29.5R25



TOTAL RATED LIFTING LOAD FOR BOOM

Radius (m)	ON OUTRIGGERS FULLY EXTENDED, 360° ROTATION					
	12.1(m)	16.4(m)	20.7(m)	27.175(m)	37.9(m)	46.5(m)
	Lifting (kg)	Lifting (kg)	Lifting (kg)	Lifting (kg)	Lifting (kg)	Lifting (kg)
3	100000					
3.5	90000	59400				
4	81400	55000				
4.5	73440	47000				
5	63000	44000	35200			
5.5	55120	41000	33000			
6	46350	38000	30000			
6.5	38760	32000	28000			
7	33835	28000	25000	20000	14700	
8	27270	22000	22500	17000	13000	
9		18000	18300	14800	10700	
10		15000	14500	13500	9700	
11		12500	12400	11400	8800	
12			10600	9800	8000	7700
14			8000	8500	6700	5800
16				6600	5700	5000
18				5300	4800	4200
20				4200	4100	3600
22					3500	3100
24					3000	2600
26					2600	2200
28						1900
30						1600
32						1300
34						1100
36						900
Rate	14	10	8	6	4	4
Hook	100T 1440 kg			30T 319 kg		

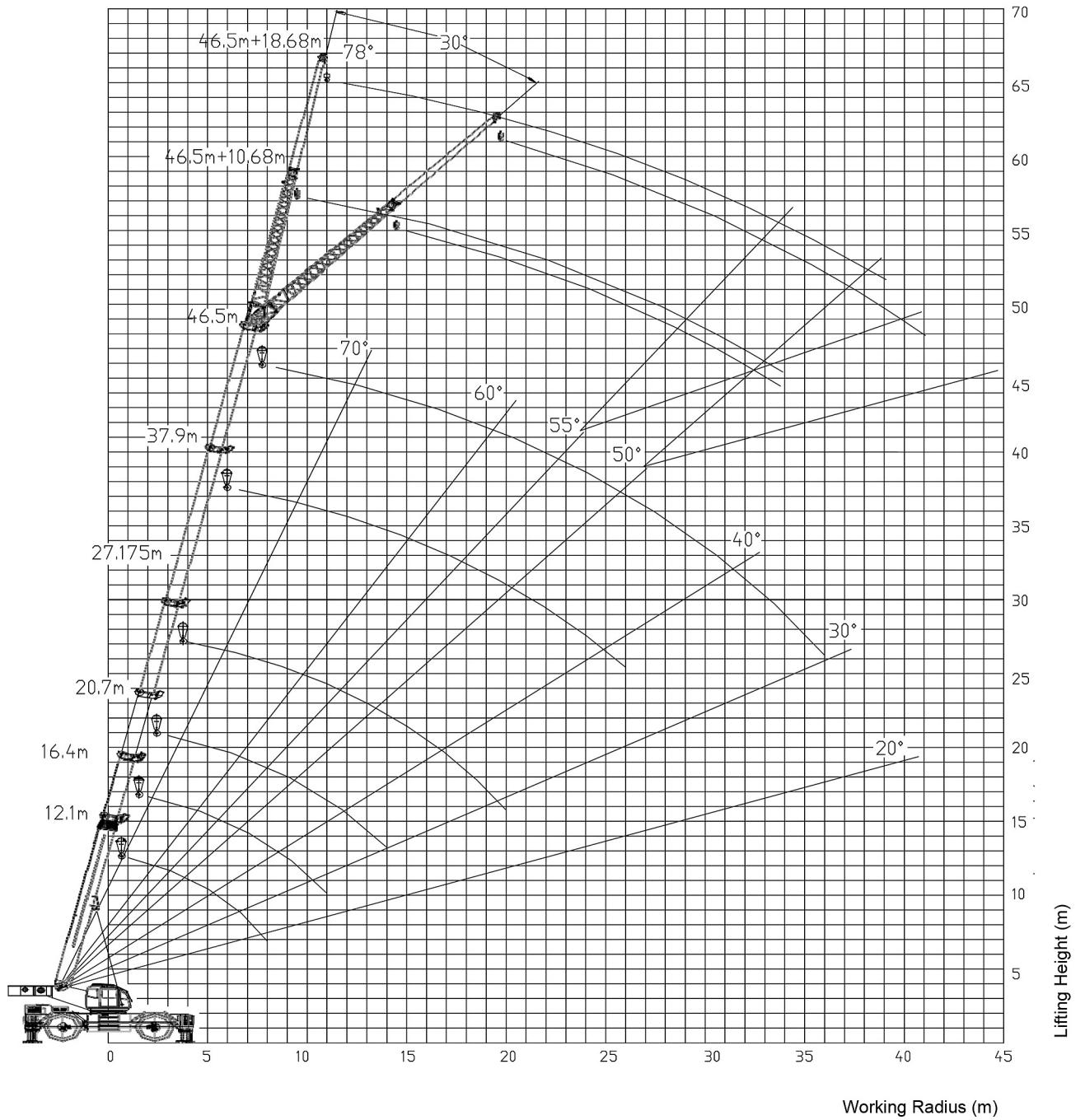
Radius (m)	ON RUBBER STATIONARY, 360° ROTATION			
	12.1(m)	16.4(m)	20.5(m)	27.175 (m)
	Lifting (kg)	Lifting (kg)	Lifting (kg)	Lifting (kg)
3	29000			
3.5	24000	24800		
4	21300	20200	19600	
4.5	18000	16900	16300	16800
5	15400	14500	13800	14300
5.5	13400	11500	11900	12400
6	11800	9800	10400	10800
6.5	10500	8300	9100	9500
7	9500	7200	8050	8400
8		5800	6300	6700
9		4600	5050	5400
10		3700	4050	4400
11			3300	3600
12			2600	2900
14				1950
16				1200
Rate	8	6	4	4
Hook	30T 319 kg			

Radius(m)	OVER FRONT			
	TRAVEL SPEED: ≤2Km/h			
	12.1(m)	16.4(m)	20.7(m)	27.175(m)
	Lifting (kg)	Lifting (kg)	Lifting (kg)	Lifting (kg)
3	32000	28000		
3.5	30000	25000		
4	26500	22000	21000	
4.5	23000	18200	17200	
5	21000	15500	14800	15200
5.5	17500	12500	12700	13100
6	15700	10900	11000	11400
6.5	14400	9600	9600	10000
7	13800	8500	8600	8900
8	9500	6800	6800	7100
9		5500	5700	5900
10		4480	4600	4800
11			3700	4100
12			3000	3400
14				2300
16				1600
Rate	8	6	4	4
Hook	100T 1440 kg		30T 319 kg	

TOTAL RATED LIFTING LOAD FOR JIB

Boom angle (°)	ON OUTRIGGERS FULLY EXTENDED, 360° ROTATION			
	FULLY EXTENDED BOOM 46.5m, JIB 10.68-18.68m			
	JIB ESTABLISHED ANGLE (°)			
	0°	30°	0°	30°
	Lifting (kg)	Lifting (kg)	Lifting (kg)	Lifting (kg)
78	4500	2500	2800	1320
75	4200	2400	2500	1160
72	3550	1850	2260	1050
70	2950	1760	2100	990
65	2400	1430	1910	970
60	1650	1220	1300	910
55	1050	830	760	480
50	560		380	
Hook weight	150 kg			

■ LIFTING CHART



www.powerplus.us

International Division

POWERPLUS GROUP PTE. LTD.

Powerplus Building
39 Ubi Crescent, Singapore 408587
Tel: (65) 63399333
Fax: (65) 63399933
Email: enquiry@powerplus.us

Research & Development Facility

POWERPLUS GROUP INC., U.S.A.

1521 East Grand Avenue,
California 91766, USA
Tel: (1) 909 6225 888
Fax: (1) 909 6225 828
Email: hq@powerplus.us

Distributed By:

 **POWERPLUS** is the registered TM of  **POWERPLUS GROUP INC., USA**
in the United States of America & Worldwide
All rights of manufacturer and of this book reserved. Unauthorized duplication is a violation of application law.