

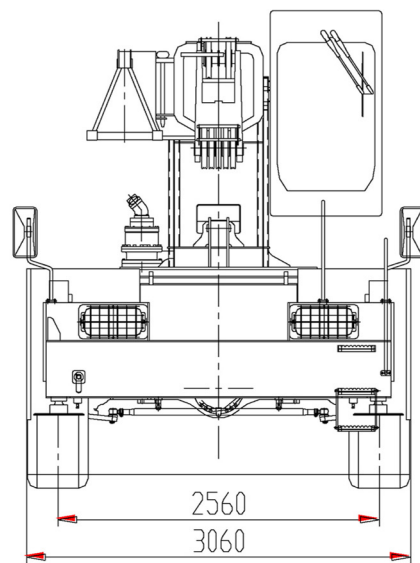
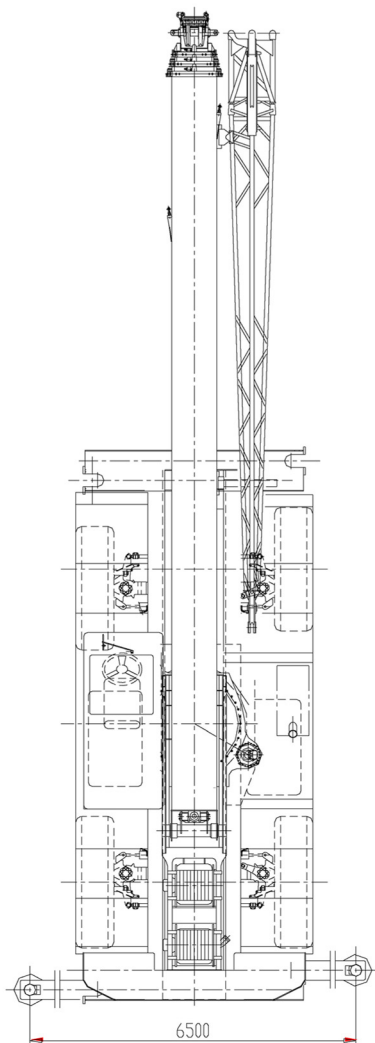
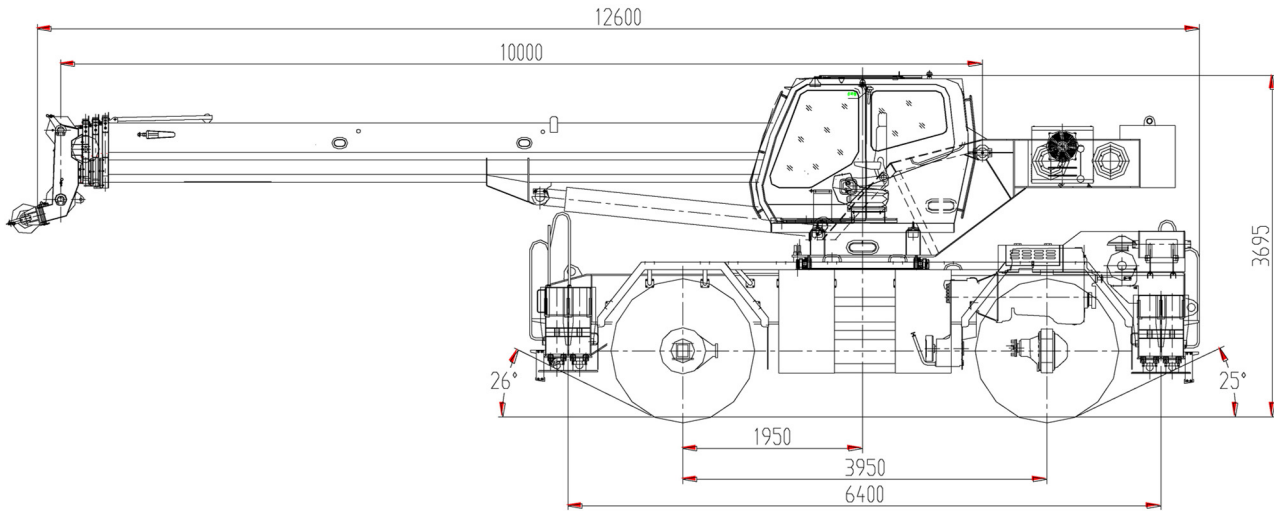


**POWERPLUS**<sup>®</sup>  
POWERPLUS GROUP INC., USA



**ROUGH TERRAIN CRANE**  
**PRTC350S-V**

DIMENSION





## SPECIFICATION

Overall length: (mm) 12600  
 Overall width: (mm) 3060  
 Overall height: (mm) 3695  
 Axle base: (mm) 3950  
 Tread: (mm) 2560  
 Weight: (kg) 29000  
 Min.ground clearance: (mm) 400  
 Max.speed: (km/h) 40  
 Max.gradeability: (%) 55  
 Approach angle: (°) 20  
 Departure angle: (°) 20

## ENGINE

Model: Cummins ISDe 230 30  
 Max. power: (HP) 230  
 Rated speed: (rpm) 2500  
 Max. torque: (N.m/rpm) 900/1400

## PERFORMANCE

Max. total rated lifting load: (T) 35  
 Min. rated working radius: (m) 3  
 Min. turning radius: (m) 5.1  
 Swing speed: (r/min) 2  
 Outrigger span (Longitudinal): (m) 6.4  
 Outrigger span (Lateral): (m) 6.5  
 Base boom: (m) 10  
 Fully extended boom: (m) 31  
 Fully-extended boom+jib: (m) 39  
 Base boom: (kN.m) 1120  
 Fully extended boom: (kN.m) 828

## BRAKE

Service / Parking brake: Hydraulic disc brake (MICO)

## WORKING SPEED

### Boom Derricking

Boom elevating: (sec) 75  
 Boom descending: (sec) 75

### Boom telescoping

Boom fully extended: (sec) 80  
 Boom fully retracting: (sec) 80

## TRANSMISSION

Model: ZF 4WG180 (L)  
 No. of Gears: 4 Forward, 3 Reverse  
 Drive Axle: 4 Wheel Drive

## AXLE

Brand: Kessler (Germany)  
 Front axle weight: (kg) 15615  
 Rear axle weight: (kg) 13365

## TIRE

Size: 20.5R25



**TOTAL RATED LIFTING LOAD FOR BOOM**

Radius (m)	ON OUTRIGGERS FULLY EXTENDED, 360° ROTATION				
	10(m)	15.25(m)	20.5(m)	25.75(m)	31(m)
	Lifting (kg)	Lifting (kg)	Lifting (kg)	Lifting (kg)	Lifting (kg)
3	35000				
3.5	30000	20000			
4	28000	20000	16000		
4.5	24500	20000	15000	11800	
5	21500	19000	14000	11200	8800
5.5	17700	17500	13100	10400	8500
6	15000	15500	12300	9700	8200
6.5	12900	13400	11500	9100	7800
7	11200	11750	10800	8500	7200
8		9300	9530	7600	6400
9		7600	7800	6800	5800
10		6330	6530	6100	5300
11		5350	5550	5500	4900
12			4770	4880	4500
14			3610	3720	3790
16			2780	2890	2960
18			2170	2270	2340
20				1800	1870
22				1425	1490
24				1120	1180
26					925
Rate	10	8	6	4	4
Hook weight: 280kg					

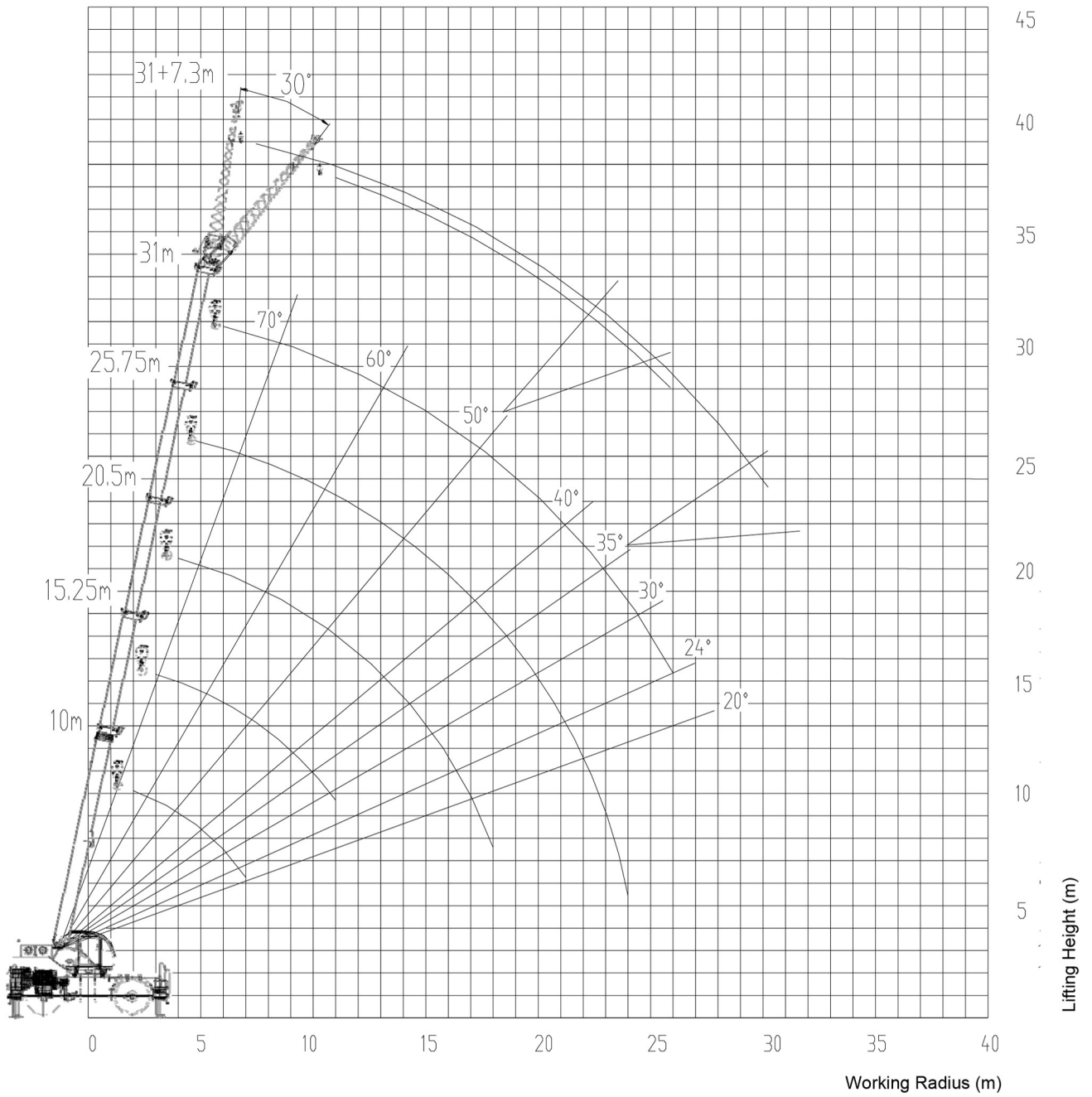
Radius (m)	ON RUBBER STATIONARY, 360° ROTATION		
	10(m)	15.25(m)	20.5(m)
	Lifting (kg)	Lifting (kg)	Lifting (kg)
3	8500		
3.5	7600	7200	
4	6500	6400	4800
4.5	5800	5300	4600
5	5100	4600	4100
5.5	4500	3900	3700
6	3700	3200	3200
6.5	2800	2500	2700
7		2100	2300
8		1800	1900
9		1400	1600
10		1000	1200
11			860
Rate	8	6	4
Hook weight: 280kg			

**TOTAL RATED LIFTING LOAD FOR JIB**

Radius (m)	OVER FRONT		
	TRAVEL SPEED: ≤2Kmh/h		
	10(m)	15.25(m)	20.5(m)
	Lifting (kg)	Lifting (kg)	Lifting (kg)
3	11000		
3.5	11000	8200	
4	10200	8200	6000
4.5	9700	8100	6000
5	8500	7400	6000
5.5	7300	6500	5400
6	6300	5800	5100
6.5	5400	5200	4700
7		4700	4300
8		3800	3800
9		3000	3200
10		2500	2800
11		2000	2300
12		1600	2000
13		1200	1700
14			1200
15			1000
16			850
17			700
18			500
Rate	8	6	4
Hook weight: 280kg			

BOOM ANGLE (°)	ON OUTRIGGERS FULLY EXTENDED, 360° ROTATION			
	FULLY EXTENDED BOOM 31m, JIB 7.3m			
	JIB ESTABLISHED ANGLE (°)			
	0°		30°	
	Radius (m)	Lifting (T)	Radius (m)	Lifting (T)
80	5.72	3000	10.86	1600
76	7.878	3000	13.34	1600
72	10.45	2800	14.55	1600
70	11.72	2350	15.74	1500
65	14.81	2000	18.63	1350
60	17.78	1500	21.37	1200
55	20.6	1100	23.93	1000
50	23.26	800	26.3	750
45	25.73	600		
40	28.00	450		
35	30.04	300		

**LIFTING CHART**



[www.powerplus.us](http://www.powerplus.us)

### **International Division**

**POWERPLUS GROUP PTE. LTD.**

Powerplus Building  
39 Ubi Crescent, Singapore 408587  
Tel: (65) 63399333  
Fax: (65) 63399933  
Email: [enquiry@powerplus.us](mailto:enquiry@powerplus.us)

### **Research & Development Facility**

**POWERPLUS GROUP INC., U.S.A.**

1521 East Grand Avenue,  
California 91766, USA  
Tel: (1) 909 6225 888  
Fax: (1) 909 6225 828  
Email: [hq@powerplus.us](mailto:hq@powerplus.us)

Distributed By:

 **POWERPLUS** is the registered TM of  **POWERPLUS GROUP INC., USA**  
in the United States of America & Worldwide  
All rights of manufacturer and of this book reserved. Unauthorized duplication is a violation of application law.