

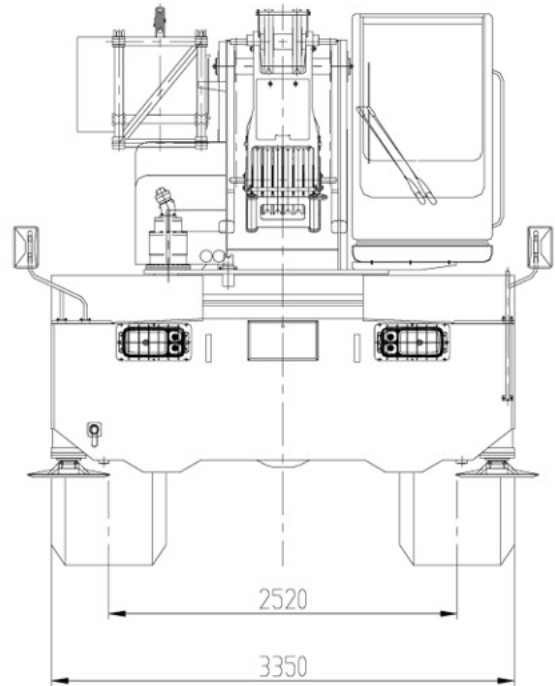
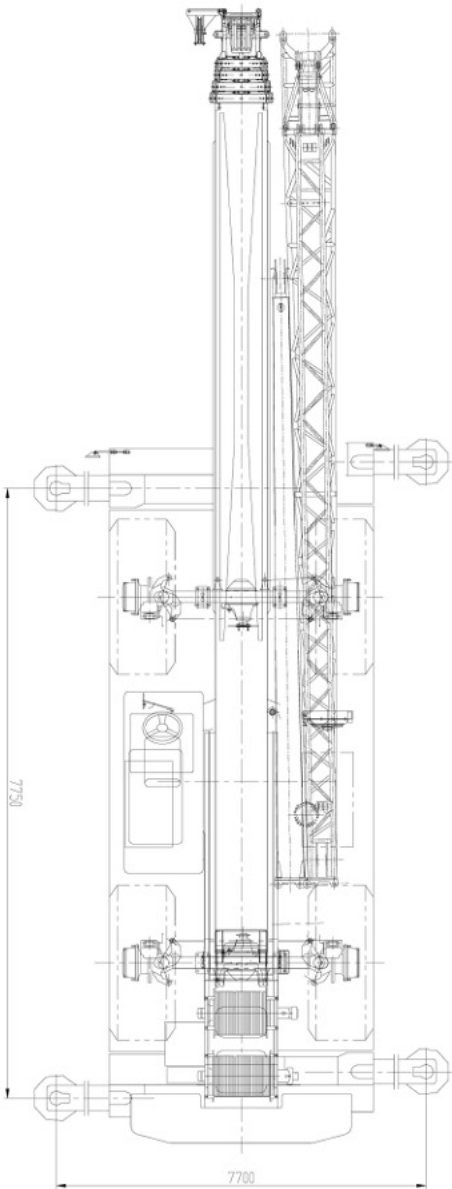
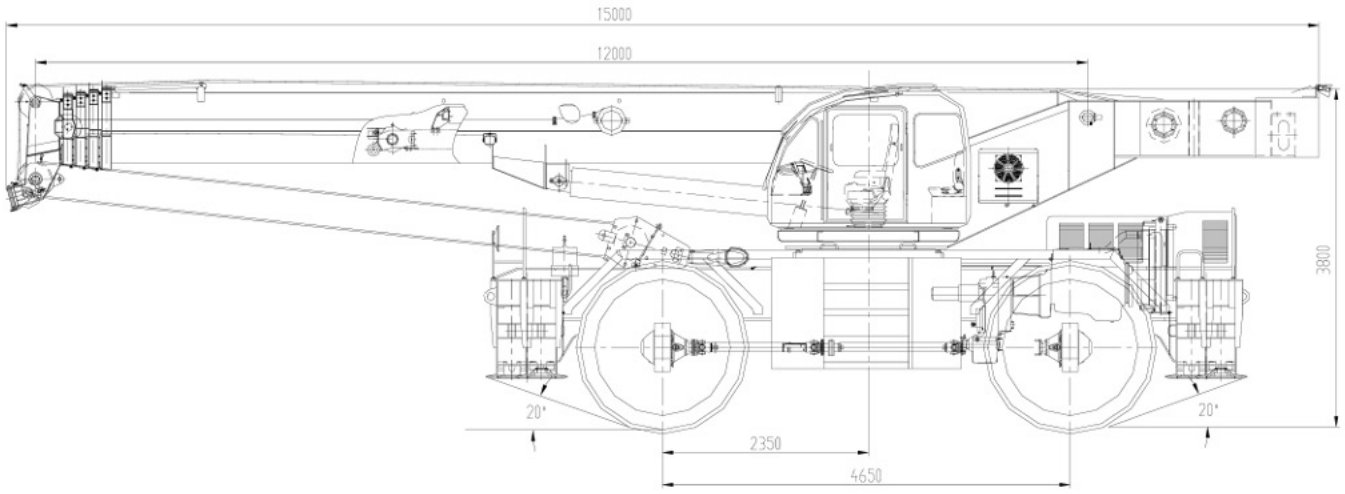


POWERPLUS[®]
POWERPLUS GROUP INC., USA



ROUGH TERRAIN CRANE
PRTC800S-V

DIMENSION



■ SPECIFICATION

Overall length: (mm) 15000
 Overall width: (mm) 3350
 Overall height: (mm) 3800
 Axle base: (mm) 4650
 Tread: (mm) 2520
 Overall weight: (kg) 55680
 Min.ground clearance: (mm) 580
 Max.speed: (km/h) 35
 Max.gradeability: (%) 50
 Approach angle: (°) 20
 Departure angle: (°) 20

■ ENGINE

Model: Cummins ISLE310 30
 Max. power: (HP) 310
 Rated speed: (rpm) 2100
 Max. torque: (N.m/rpm) 1200/1400

■ PERFORMANCE

Max. total rated lifting load: (T) 80
 Min. rated working radius: (m) 3
 Turning radius at swing table tail: (mm) 4700
 Swing speed: (r/min) 2
 Outrigger span (Longitudinal): (m) 7.75
 Outrigger span (Lateral): (m) 7.7
 Base boom: (m) 12
 Fully extended boom: (m) 45.5
 Fully-extended boom+jib: (m) 46+18.5
 Base boom: (kN.m) 3060
 Fully extended boom: (kN.m) 840

■ BRAKE

Service / Parking brake: Hydraulic disc brake (MICO)

■ WORKING SPEED

Boom Derricking

Boom elevating: (sec) 165
 Boom descending: (sec) 160

Boom telescoping

Boom fully extended: (sec) 200
 Boom fully retracting: (sec) 160

■ TRANSMISSION

Transmission type: Electrical controlled shifting
 No. of Gears: 4 Forward, 3 Reverse
 Drive Axle: 4 Wheel Drive

■ AXLE

Brand: Kessler (Germany)
 Front axle weight: (kg) 27310
 Rear axle weight: (kg) 28360

■ TIRE

Size: 29.5R25



TOTAL RATED LIFTING LOAD FOR BOOM

Radius (m)	Fully-extend outriggers, 360° swing					
	Base boom length 12m	Boom length 16.25m	Boom length 20.5m	Boom length 26.875m	Boom length 37.5m	Full-extend boom length 48m
	Lifting load (kg)	Lifting load (kg)	Lifting load (kg)	Lifting load (kg)	Lifting load (kg)	Lifting load (kg)
3	80000					
3.5	80000					
4	74000					
4.5	68000					
5	60000					
5.5	53000					
6	45000					
6.5	38000					
7	33500					
8	27000					
9						
10						
11						
12						
14						
16						
18						
20						
22						
24						
26						
28						
30						
32						
34						
36						
Rate	12	10	8	6	4	4
Hook Standard	For 80T			For 30T		
Hook weight	814kg			319kg		

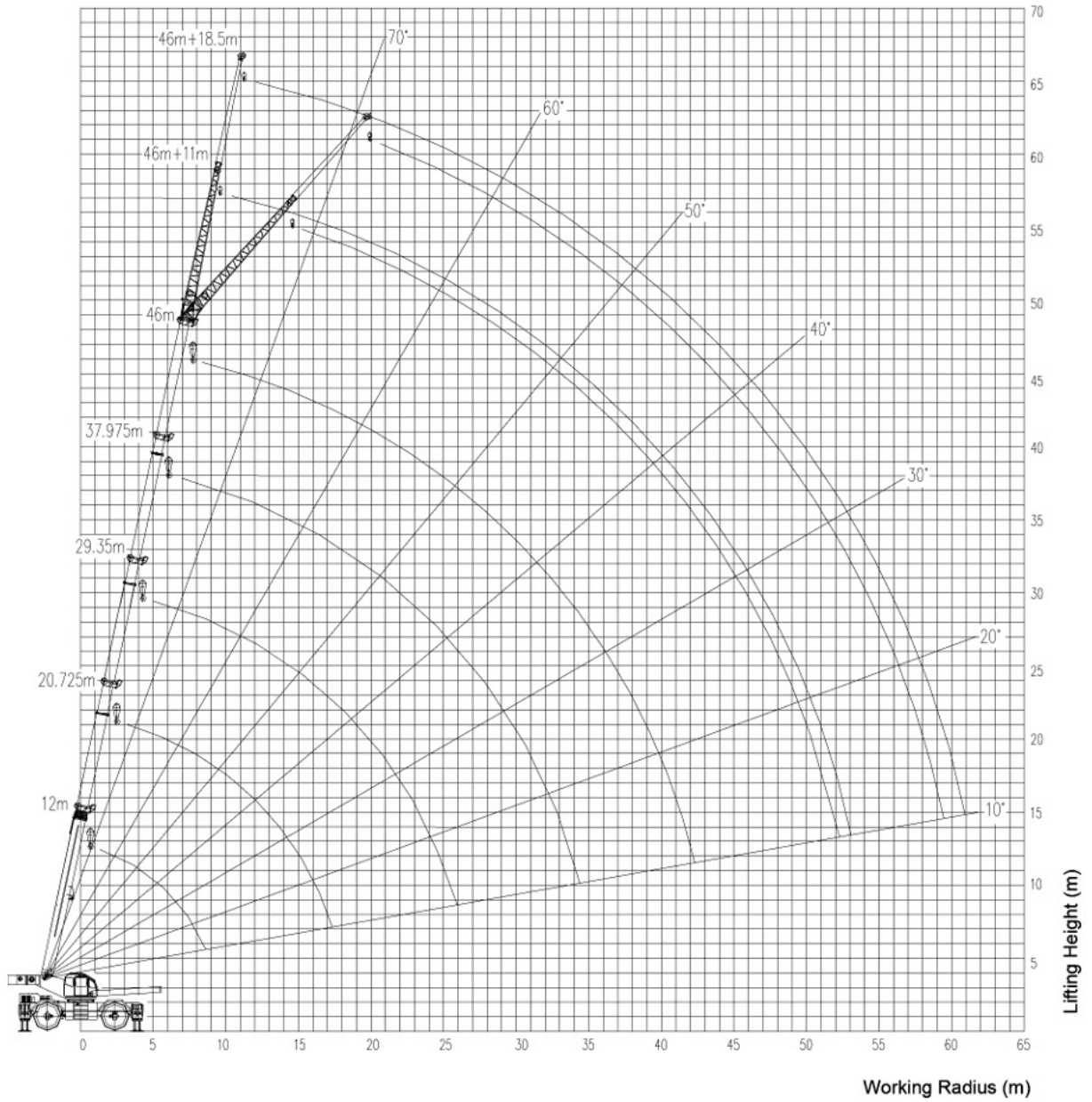
Radius (m)	Without outriggers, 360° swing			
	Base boom length 12m	Boom length 16.25m	Boom length 20.5m	Boom length 26.875m
	Lifting load (kg)	Lifting load (kg)	Lifting load (kg)	Lifting load (kg)
3	29000			
3.5	24000			
4	21300			
4.5	18000			
5	15400			
5.5	13400			
6	11800			
6.5	10500			
7	9500			
8				
9				
10				
11				
12				
14				
16				
Rate	8	6	4	4
Hook standard	For 80T		For 30T	
Hook weight	814kg		319kg	

TOTAL RATED LIFTING LOAD FOR JIB

Radius (m)	Without outriggers, traveling with load, boom at the front, traveling speed: ≤2Km/h			
	Base boom length 12m	Boom length 16.25m	Boom length 20.5m	Boom length 26.875m
	Lifting load (kg)	Lifting load (kg)	Lifting load (kg)	Lifting load (kg)
3	32000			
3.5	30000			
4	26500			
4.5	23000			
5	21000			
5.5	17500			
6	15700			
6.5	14400			
7	13800			
8	9500			
9				
10				
11				
12				
14				
16				
Rate	8	6	4	4
Hook standard	For 80t		For 30t	
Hook weight	814Kg		319kg	

Boom angle (°)	360° swing			
	Jib installation angle (°)		Jib installation angle (°)	
	Jib 10.1m		Jib length 18.5m	
	0°	30°	0°	30°
	Lifting load (kg)	Lifting load (kg)	Lifting load (kg)	Lifting load (kg)
78	4500	2500	2800	1320
75	4200	2400	2500	1160
72	3550	1850	2260	1050
70	2950	1760	2100	990
65	2400	1430	1910	970
60	1650	1220	1300	910
55	1050	830	760	480
50	560		380	
Hook weight	150Kg			

LIFTING CHART



www.powerplus.us

International Division

POWERPLUS GROUP PTE. LTD.


Powerplus Building
39 Ubi Crescent, Singapore 408587
Tel: (65) 63399333
Fax: (65) 63399933
Email: enquiry@powerplus.us

Research & Development Facility

POWERPLUS GROUP INC., U.S.A.

1521 East Grand Avenue,
California 91766, USA
Tel: (1) 909 6225 888
Fax: (1) 909 6225 828
Email: hq@powerplus.us

Distributed By:

 **POWERPLUS** is the registered TM of  **POWERPLUS GROUP INC., USA**
in the United States of America & Worldwide
All rights of manufacturer and of this book reserved. Unauthorized duplication is a violation of application law.