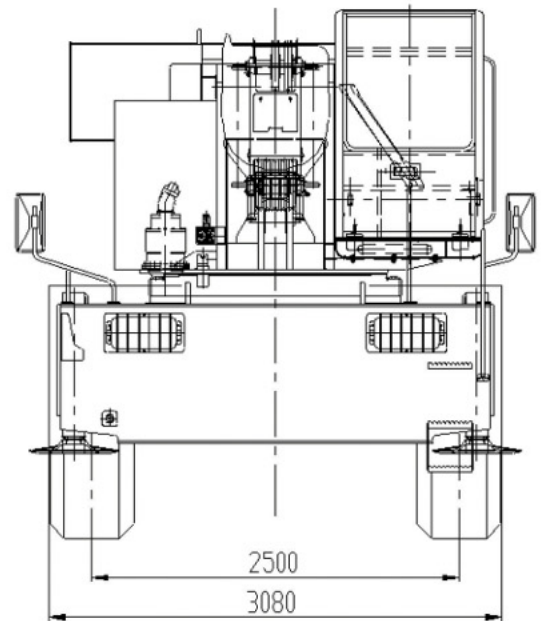
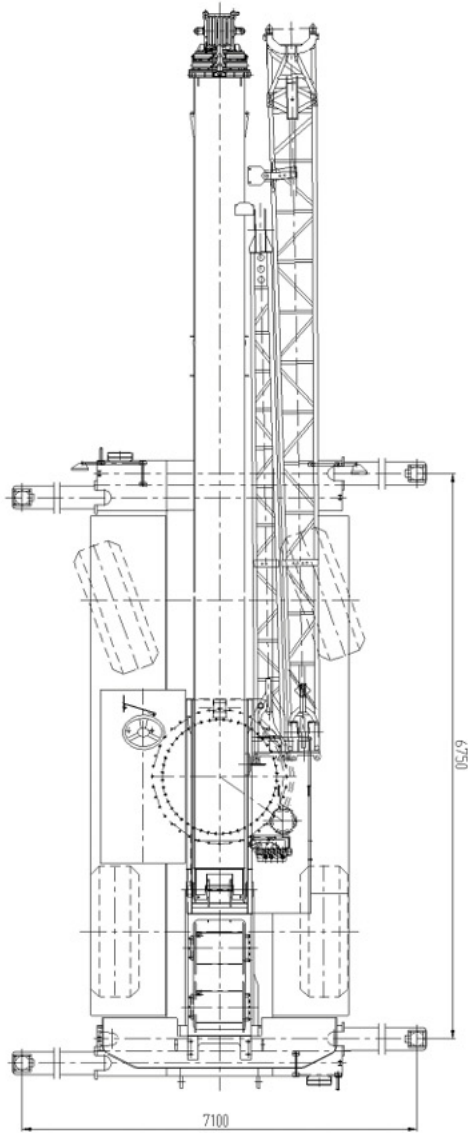
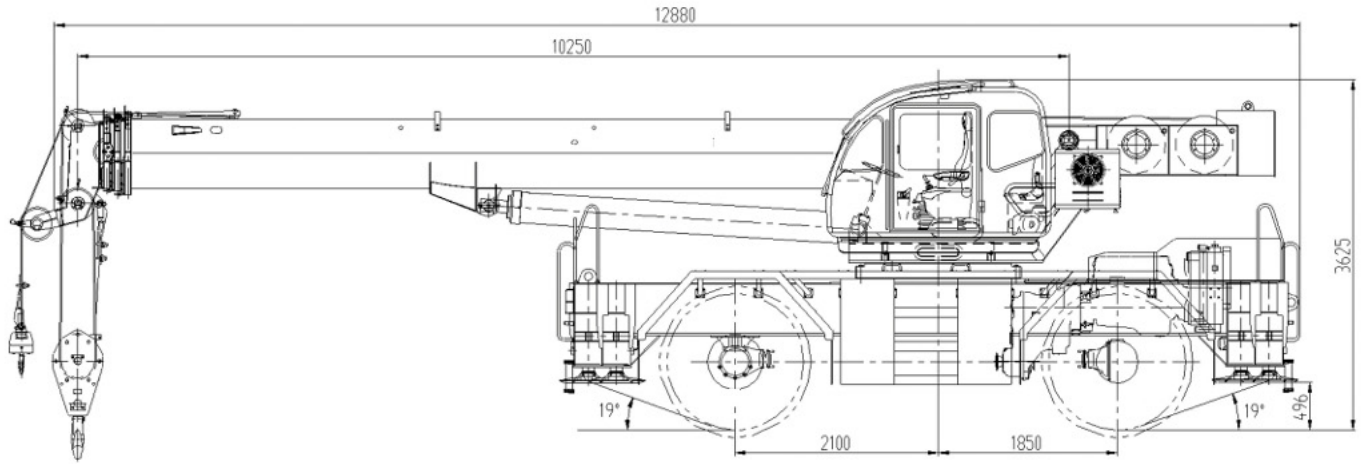




POWERPLUS[®]
POWERPLUS GROUP INC., USA



ROUGH TERRAIN CRANE
PRTC500S-V



SPECIFICATION

Overall length: (mm) 12880

Overall width: (mm) 3080

Overall height: (mm) 3625

Axle base: (mm) 3950

Tread: (mm) 2500

Weight: (kg) 36150

Min.ground clearance: (mm) 400

Max.speed: (km/h) 40

Max.gradeability: (%) 55

Approach angle: (°) 20

Departure angle: (°) 19

ENGINE

Model: Cummins ISDE 270 30

Max. power: (HP) 270

Rated speed: (rpm) 2500

Max. torque: (N.m/rpm) 970/1400

PERFORMANCE

Max. total rated lifting load: (T) 50

Min. rated working radius: (m) 3

Turning radius at swing table tail: (mm) 3620

Swing speed: (rpm) 2

Outrigger span (Longitudinal): (m) 6.75

Outrigger span (Lateral): (m) 7.1

Base boom: (m) 10.86

Fully extended boom: (m) 32

Fully-extended boom+jib: (m) 47

Base boom: (kN.m) 1575

Fully extended boom: (kN.m) 588

BRAKE

Service / Parking brake: Hydraulic disc brake (MICO)

WORKING SPEED

Boom Derricking

Boom elevating: (sec) 55

Boom descending: (sec) 90

Boom telescoping

Boom fully extended: (sec) 65

Boom fully retracting: (sec) 52

TRANSMISSION

Model: ZF 4WG200 (L)

No. of Gears: 4 Forward, 3 Reverse

Drive Axle: 4 Wheel Drive

AXLE

Brand: Kessler (Germany)

Front axle weight: (kg) 19220

Rear axle weight: (kg) 16920

TIRE

Size: 20.5R25



TOTAL RATED LIFTING LOAD FOR BOOM

Radius (m)	Full-extend outriggers, 360° swing				
	Base boom length 10.25m	Boom length 15.688m	Boom length 21.125m	Boom length 26.563m	Full-extend boom length 32m
	Lifting load (kg)	Lifting load (kg)	Lifting load (kg)	Lifting load (kg)	Lifting load (kg)
3	50000				
3.5	45000				
4	38000				
4.5	33500	21000			
5	30000	21000			
5.5	25000	20000			
6	20000	19000	14000		
6.5	17000	17500	13200		
7	14800	15000	12500	9800	
8	12600	12000	11300	8700	
9		9800	10300	7900	6400
10		8200	8400	7200	5500
12		7000	7000	6000	4800
14			5500	5000	4200
16			4500	4300	3500
18				3600	3100
20				3100	2500
22				2700	1900
24					1800
26					1600
28					1300
30					1000
Rate	10	6	4	3	2
Hook standard	For 50T				
Hook weight	360kg				

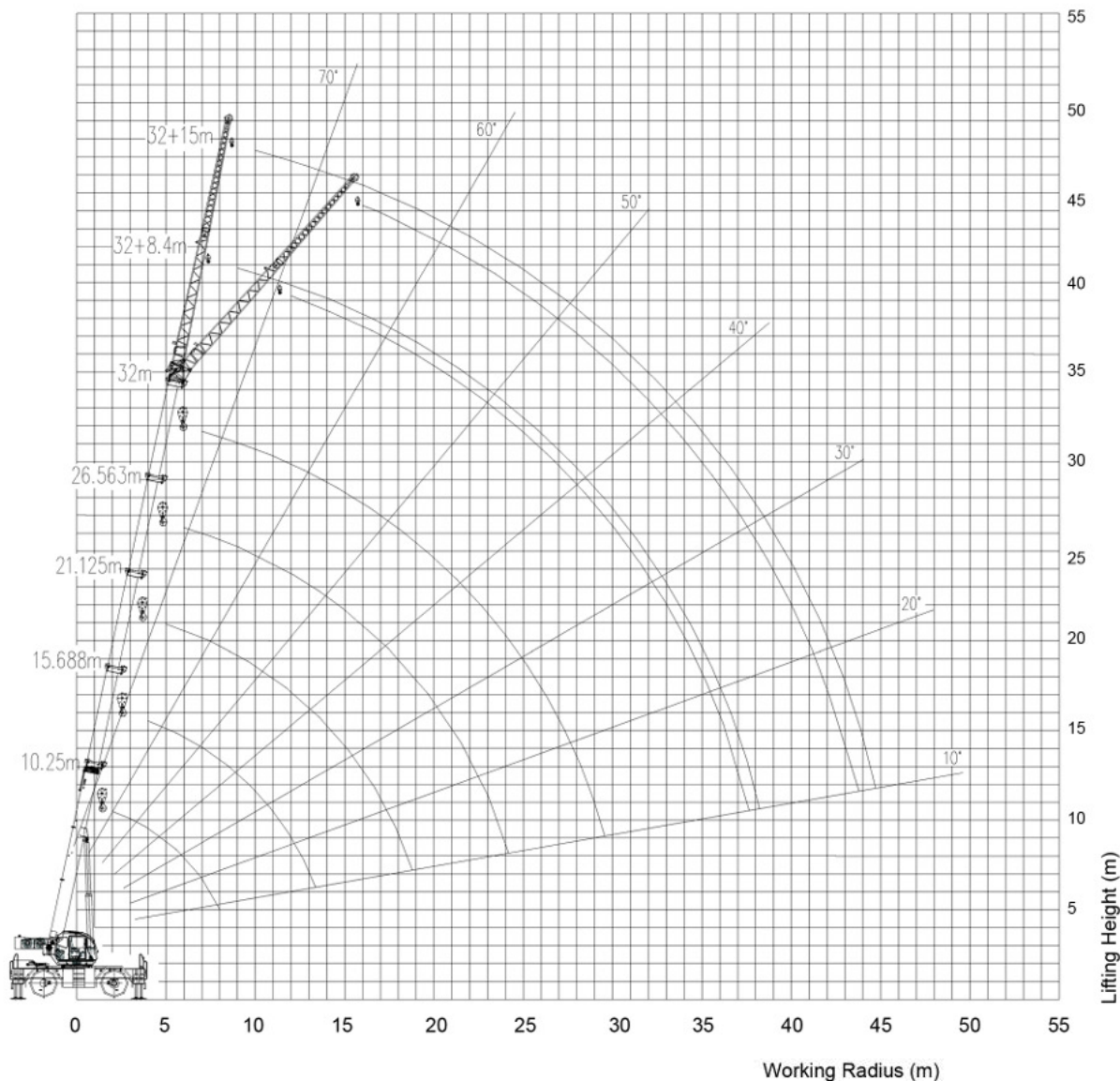
Radius (m)	Without outriggers, 360° swing			
	Base boom length 10.25m	Boom length 14.6m	Boom length 18.95m	Boom length 23.3m
	Lifting load (kg)	Lifting load (kg)	Lifting load (kg)	Lifting load (kg)
3	8000	7040		
3.5	6240	6000	5760	
4	5280	5120	5200	
4.5	4480	4400	4480	4560
5	3880	3760	3840	3920
5.5	3360	3360	3440	3440
6	2960	2960	3040	3040
6.5	2560	2640	2720	2720
7	2240	2320	2400	2480
8		1840	1920	2000
9		1520	1600	1600
10			1280	1360
11			1040	1120
12				880
Rate	3	2	2	2
Hook standard	For 50T			
Hook weight	360kg			

Radius (m)	Without outrigger, travel with load, traveling speed with load: ≤2km/h			
	Base boom length 10.25m	Boom length 14.6m	Boom length 18.95m	Boom length 23.3m
	Lifting load (kg)	Lifting load (kg)	Lifting load (kg)	Lifting load (kg)
3	10000	8800		
3.5	7800	7500	7200	
4	6600	6400	6500	
4.5	5600	5500	5600	5700
5	4850	4700	4800	4900
5.5	4200	4200	4300	4300
6	3700	3700	3800	3800
6.5	3200	3300	3400	3400
7	2800	2900	3000	3100
8		2300	2400	2500
9		1900	2000	2000
10			1600	1700
11			1300	1400
12				1100
Rate	3	2	2	2
Hook standard	For 50T			
Hook weight	360kg			

TOTAL RATED LIFTING LOAD FOR JIB

Boom angle (°)	360° swing			
	Jib installation angle (°)		Jib installation angle (°)	
	Jib 8.4m		Jib length 15m	
	0°	30°	0°	30°
	Lifting load (kg)	Lifting load (kg)	Lifting load (kg)	Lifting load (kg)
78	3200	2000	2300	1000
75	3200	2000	2200	980
72	3000	1600	2000	900
70	2500	1500	1800	850
65	2000	1100	1600	760
60	1500	1000	1200	570
55	900	600	750	350
50	350		240	1000
Hook weight	68kg			

LIFTING CHART



www.powerplus.us

International Division

POWERPLUS GROUP PTE. LTD.

Powerplus Building
39 Ubi Crescent, Singapore 408587
Tel: (65) 63399333
Fax: (65) 63399933
Email: enquiry@powerplus.us

Research & Development Facility

POWERPLUS GROUP INC., U.S.A.

1521 East Grand Avenue,
California 91766, USA
Tel: (1) 909 6225 888
Fax: (1) 909 6225 828
Email: hq@powerplus.us

Distributed By:

 **POWERPLUS** is the registered TM of  **POWERPLUS GROUP INC., USA**
in the United States of America & Worldwide
All rights of manufacturer and of this book reserved. Unauthorized duplication is a violation of application law.