

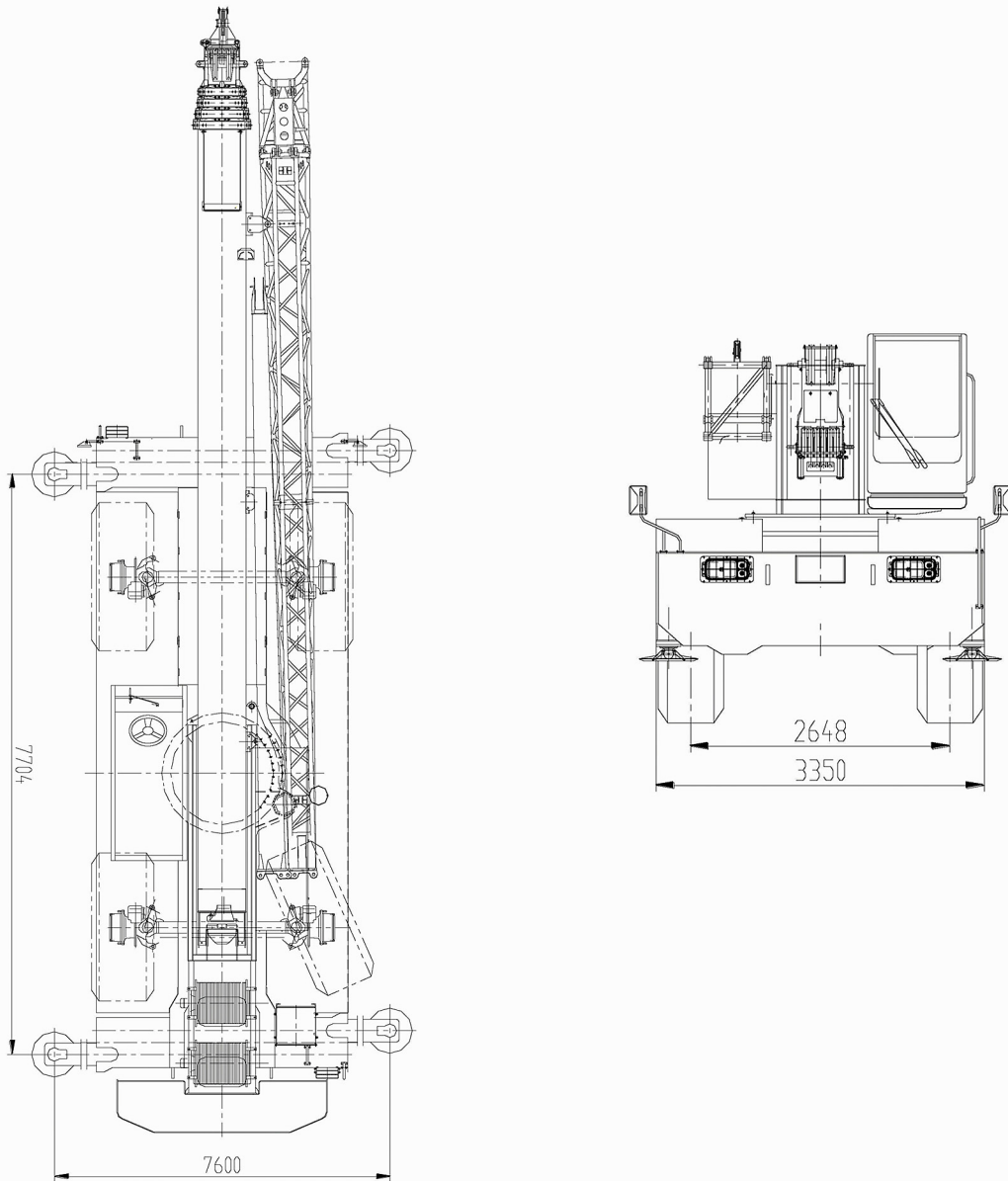
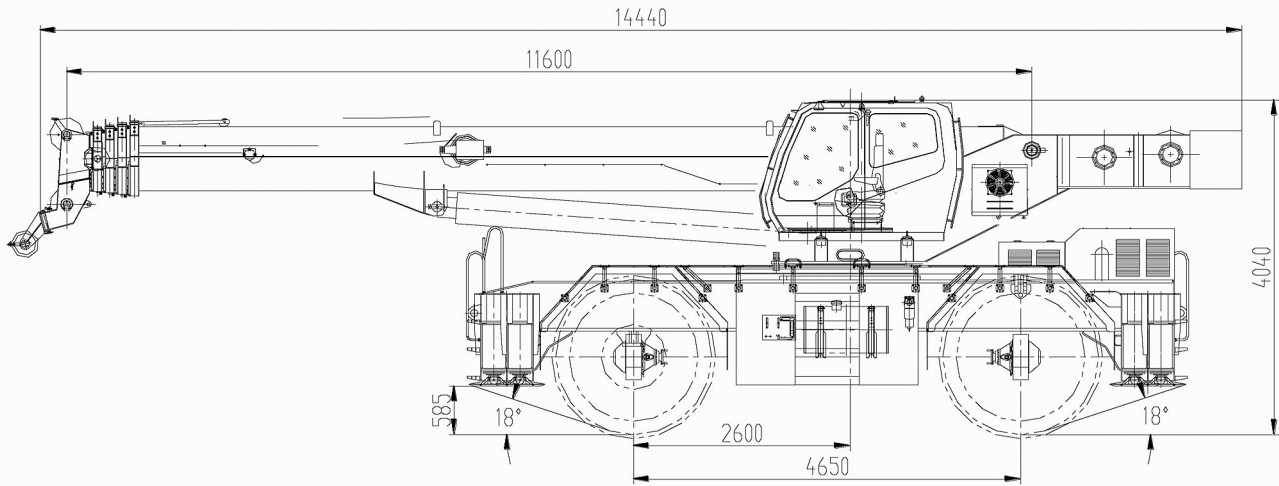


POWERPLUS[®]
POWERPLUS GROUP INC., USA



ROUGH TERRAIN CRANE
PRTC600S-V

ROUGH TERRAIN CRANE



SPECIFICATION

Overall length: (mm) 14440
 Overall width: (mm) 3350
 Overall height: (mm) 4040
 Axle base: (mm) 4650
 Tread: (mm) 2648
 Weight: (kg) 46820
 Min.ground clearance: (mm) 480
 Max.speed: (km/h) 35
 Max.gradeability: (%) 50
 Approach angle: (°) 18
 Departure angle: (°) 18

ENGINE

Model: Cummins ISDE 270 30
 Max. power: (HP) 270
 Rated speed: (rpm) 2500
 Max. torque: (N.m/rpm) 970/1400

PERFORMANCE

Max. total rated lifting load: (T) 60
 Min. rated working radius: (m) 3
 Turning radius at swing table tail: (m) 4.86
 Swing speed: (rpm) 2
 Outrigger span (Longitudinal): (m) 7.7
 Outrigger span (Lateral): (m) 7.6
 Base boom: (m) 11.6
 Fully extended boom: (m) 43.6
 Fully-extended boom+jib: (m) 62.28
 Base boom: (kN.m) 2145

BRAKE

Service / Parking brake: Hydraulic disc brake (MICO)

WORKING SPEED

Boom Derricking

Boom elevating: (sec) 90

Boom telescoping

Boom fully extended: (sec) 130

TRANSMISSION

Model: DANA (USA)

No. of Gears: 6 Forward, 3 Reverse

AXLE

Brand: Kessler (Germany)

Front axle weight: (kg) 22530

Rear axle weight: (kg) 24290

TIRE

Size: 26.5 R25



TOTAL RATED LIFTING LOAD FOR BOOM

Radius (m)	ON OUTRIGGERS FULLY EXTENDED, 360° ROTATION					
	11.6 (m)	15.6 (m)	19.6 (m)	27.6 (m)	35.6 (m)	43.6 (m)
	Lifting (kg)	Lifting (kg)	Lifting (kg)	Lifting (kg)	Lifting (kg)	Lifting (kg)
3	60000					
3.5	55000	40000				
4	50000	37000	29000			
4.5	46000	34500	27000	18800		
5	42000	32000	25000	18800		
5.5	39000	30000	23300	17700	13800	
6	35000	28000	21900	16700	13100	
6.5	28500	26500	20600	15800	12500	
7	25500	24500	19400	15000	11800	8600
8	19200	19000	17400	13500	10500	8000
9		15000	14300	12100	9400	7500
10		12300	11700	10800	8400	7000
11		10200	9700	9800	7800	6500
12			8200	8400	7000	6000
14			6000	6800	5800	5100
16				5100	4900	4400
18				4000	4200	3800
20				3100	3500	3300
22					2750	2900
24					2200	2400
26					1700	1800
28					1300	1550
30						1200
32						900
Rate	12	10	8	6	4	4
Hook	60T 708kg					

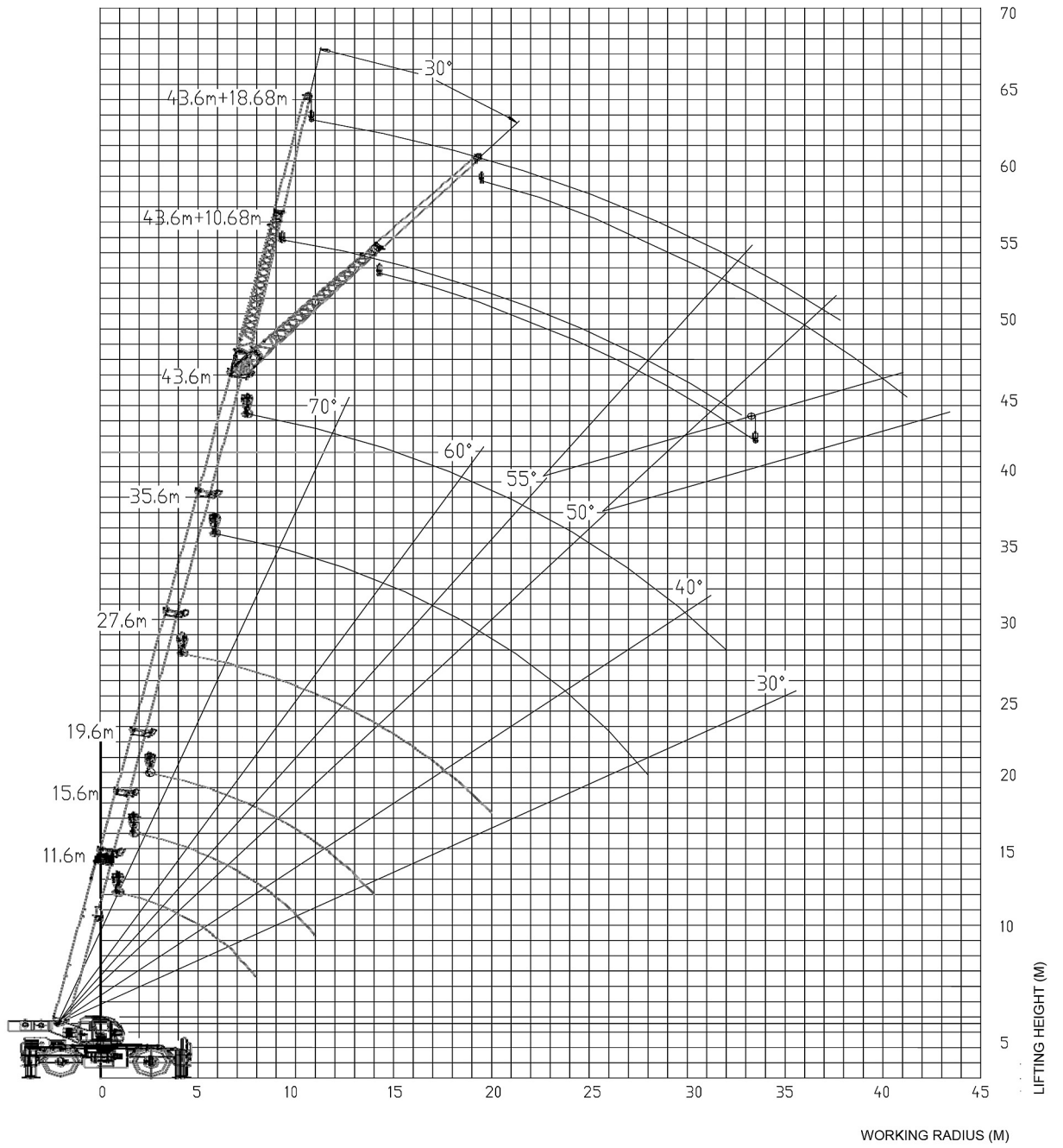
Radius (m)	360° ROTATION				
	11.6 (m)	15.6 (m)	19.6 (m)	27.6 (m)	35.6 (m)
	Lifting (kg)	Lifting (kg)	Lifting (kg)	Lifting (kg)	Lifting (kg)
3	20470	18750			
3.5	18260	16200			
4	15450	13870	12690		
4.5	13180	12000	11850		
5	11570	10250	9660	8720	
5.5	10940	8850	8450	8260	
6	8650	7270	7130	6950	6160
6.5	7220	6670	6480	6330	5430
7		5250	5190	5140	4270
8		4200	4130	4070	3420
9		3480	3350	3250	2760
10			2770	2590	2140
11			2250	2050	1670
12			1820	1610	1240
13				1240	830
14				920	460
15				740	310
Rate	8	6	4	4	4
Hook standard	60T				
Hook weight	708kg				

Radius (m)	OVER FRONT				
	TRAVEL SPEED: ≤2km/h				
	11.6 (m)	15.6 (m)	19.6 (m)	27.6 (m)	35.6 (m)
3	21870	19260			
3.5	20260	18340	14260		
4	19430	17320	13920	10180	8120
4.5	18470	16270	13570	10180	8120
5	17620	15120	13010	10180	8120
5.5	16270	14350	12350	10180	8120
6	15090	13390	11740	10180	8120
6.5	14710	12570	11150	9370	7780
7	12370	11440	9970	8480	7430
8	10650	9690	8820	7640	7130
9		8240	7320	6260	6160
10			6180	5210	5420
11			5290	4370	4870
12			4550	3710	4200
13				3130	3530
14				2680	2970
15				2260	2580
16					2240
17					1750
Rate	8	6	4	4	4
Hook standard	60T				
Hook weight	708kg				

TOTAL RATED LIFTING LOAD FOR JIB

Boom angle (°)	OUTRIGGERS FULLY EXTENDED, 360° ROTATION			
	FULLY EXTENDED BOOM 43.6m, JIB 10.68-18.68m			
	JIB ANGLE (°)			
	0°	30°	0°	30°
	Lifting (kg)	Lifting (kg)	Lifting (kg)	Lifting (kg)
78	4500	2500	2800	1320
75	4200	2400	2500	1160
72	3550	1850	2260	1050
70	2950	1760	2100	990
65	2400	1430	1910	970
60	1650	1220	1300	910
55	1050	830	760	480
50	560		380	
Hook Weight	150kg			

■ LIFTING CHART



www.powerplus.us

International Division

POWERPLUS GROUP PTE. LTD.

Powerplus Building
39 Ubi Crescent, Singapore 408587
Tel: (65) 63399333
Fax: (65) 63399933
Email: enquiry@powerplus.us

Research & Development Facility

POWERPLUS GROUP INC., U.S.A.

1521 East Grand Avenue,
California 91766, USA
Tel: (1) 909 6225 888
Fax: (1) 909 6225 828
Email: hq@powerplus.us

Distributed By:

 **POWERPLUS** is the registered TM of  **POWERPLUS GROUP INC., USA**
in the United States of America & Worldwide
All rights of manufacturer and of this book reserved. Unauthorized duplication is a violation of application law.