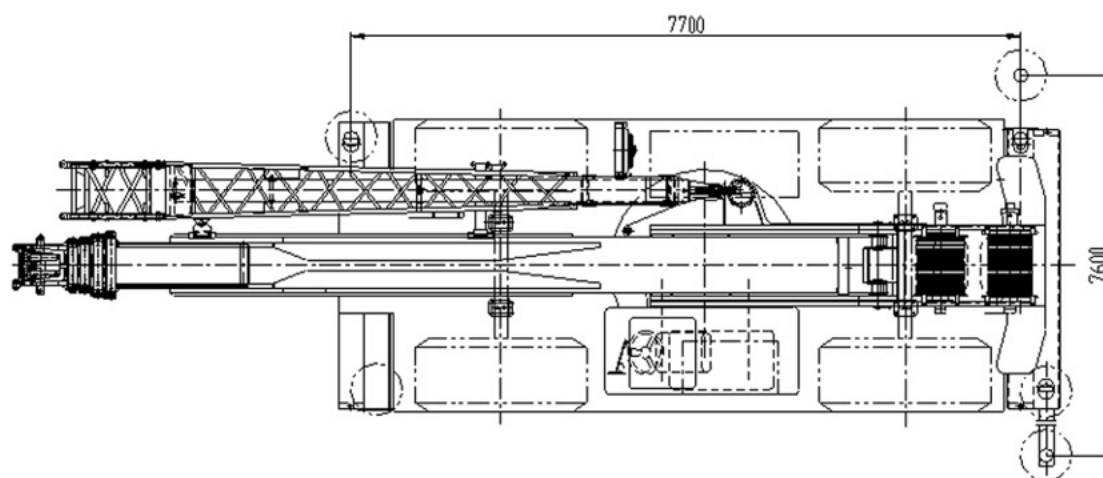
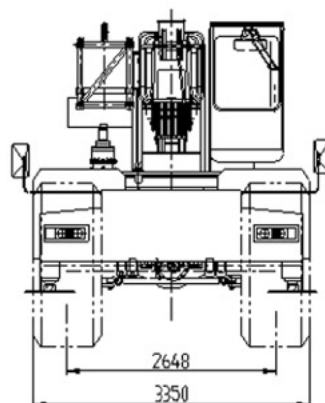
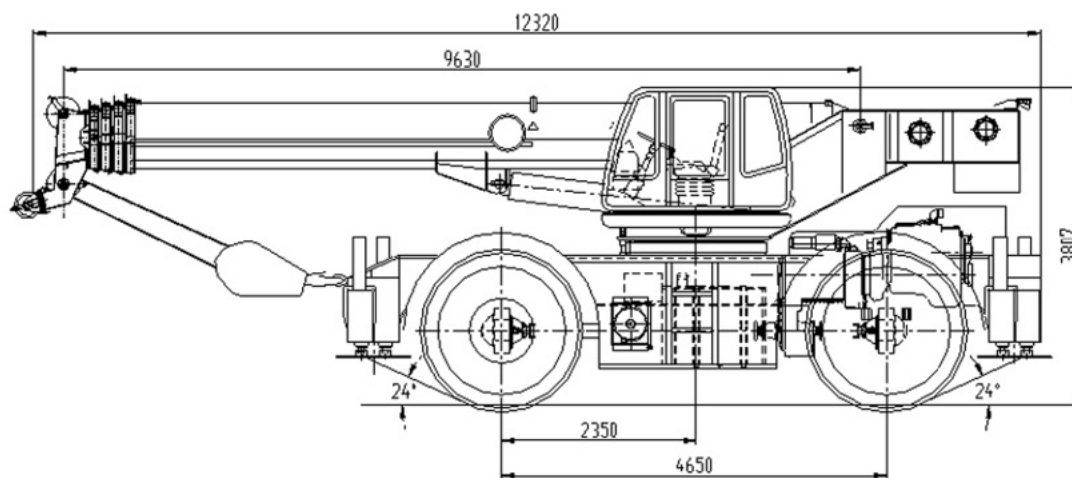




POWERPLUS[®]
POWERPLUS GROUP INC., USA



ROUGH TERRAIN CRANE
PRTC600S-III



■ SPECIFICATION

Overall length: (mm) 12320
 Overall width: (mm) 3350
 Overall height: (mm) 3807
 Axle base: (mm) 4650
 Tread: (mm) 2648
 Weight: (kg) 43000
 Min.ground clearance: (mm) 480
 Max.speed: (km/h) 40
 Max.gradeability: (%) 55
 Approach angle: (°) 24
 Departure angle: (°) 24

■ ENGINE

Model: Cummins ISDe 270 30
 Max. power: (HP) 270
 Rated speed: (rpm) 2500
 Max. torque: (N.m/rpm) 970/1400

■ PERFORMANCE

Max. total rated lifting load: (T) 60
 Min. rated working radius: (m) 3
 Turning radius at swing table tail: (m) 4.7
 Swing speed: (rpm) 2
 Outrigger span (Longitudinal): (m) 7.7
 Outrigger span (Lateral): (m) 7.6
 Base boom: (m) 9.6
 Fully extended boom: (m) 35.1
 Fully-extended boom+jib: (m) 50.4
 Base boom: (kN.m) 1850

■ BRAKE

Service / Parking brake: Hydraulic disc brake (MICO)

■ WORKING SPEED

Boom Derricking

Boom elevating: (sec) 85

Boom telescoping

Boom fully extended: (sec) 120

■ TRANSMISSION

No. of Gears: 4 Forward, 3 Reverse

■ AXLE

Brand: Kessler (Germany)

Front axle weight: (kg) 20710

Rear axle weight: (kg) 22290

■ TIRE

Size: 26.5 R25



KESSLER•CO

TOTAL RATED LIFTING LOAD FOR BOOM

Working radius (m)	Full-extend outriggers ,360°swing				
	Base boom 9600	Mid-extend boom 15950	Mid-extend boom 22300	Mid-extend boom 28650	Full-extend boom 35000
	Lifting load (kg)	Lifting load (kg)	Lifting load (kg)	Lifting load (kg)	Lifting load (kg)
3	60000	38500			
3.5	48000	33400	18800		
4	42000	29800	18800		
4.5	40000	28700	18700		
5	37000	26500	18500	15500	
5.5	33600	24700	17800	14700	
6	30500	22400	17200	14000	
6.5	27000	20600	16700	13300	10500
7	24000	18500	15300	12700	10000
8		16100	13300	11700	9200
9		14200	11800	10800	8500
10		12600	10600	10000	7900
11		11400	9600	9200	7400
12		10300	8800	8500	6900
13			8000	7700	6300
14			7300	7000	5800
15			6800	6500	5300
16			6200	6000	4900
17			5800	5600	4600
18			5400	5200	4300
19				4700	4000
20				4200	3700
22				3600	3300
24				3000	2900
26					2600
28					2400
30					2100
Rate	12	10	8	6	4
Hook block standard				55T	
Weight of hook block				560 kg	

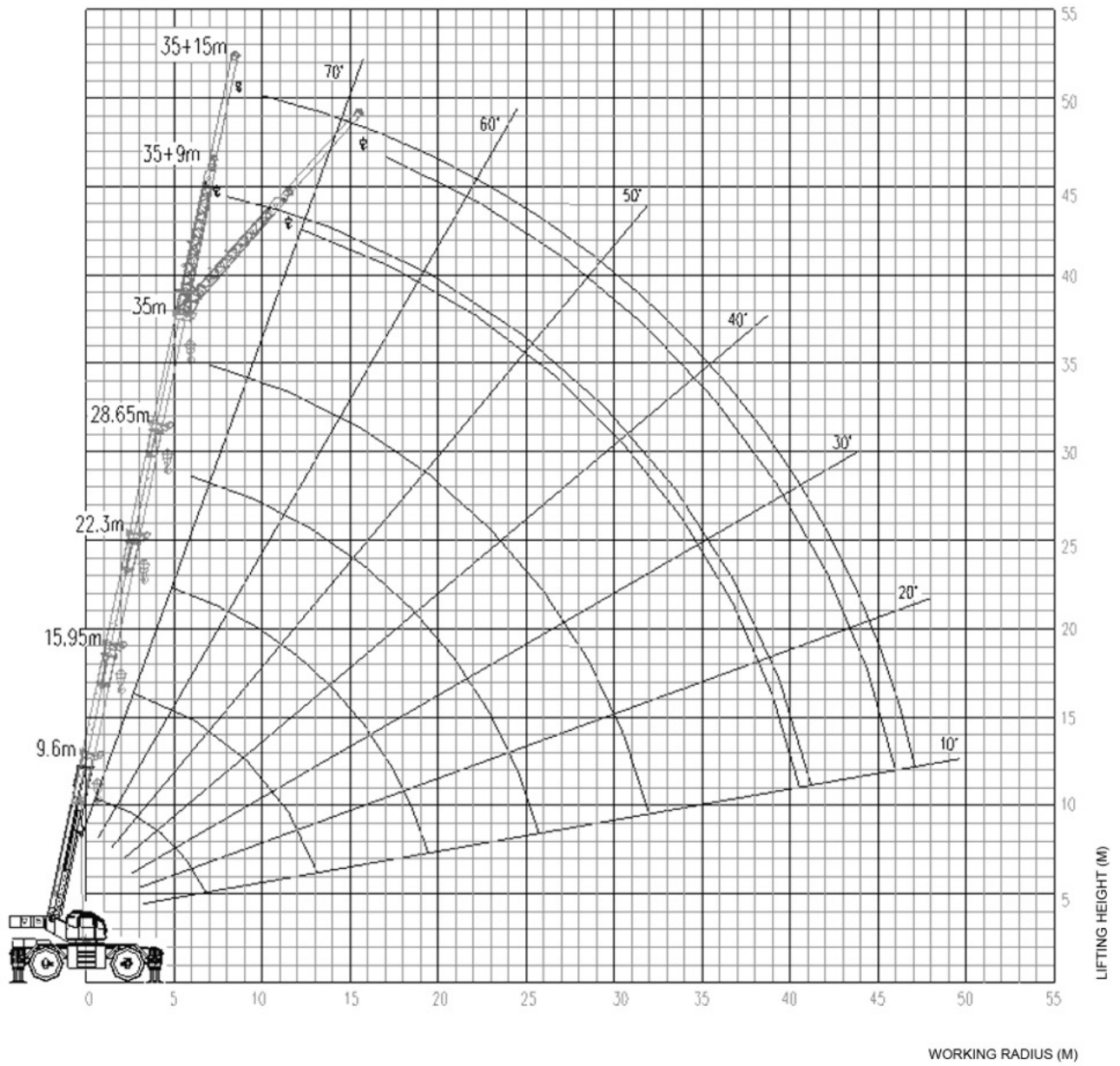
Working radius (m)	Without outrigger, 360°swing				
	Base boom 9600	Mid-extend boom 12775	Mid-extend boom 15950	Mid-extend boom 19125	Mid-extend boom 22300
	Lifting load (kg)	Lifting load (kg)	Lifting load (kg)	Lifting load (kg)	Lifting load (kg)
3	20470	18750			
3.5	18260	16200			
4	15450	13870	12690		
4.5	13180	12000	11850		
5	11570	10250	9660	8720	
5.5	10940	8850	8450	8260	
6	8650	7270	7130	6950	6160
6.5	7220	6670	6480	6330	5430
7		5250	5190	5140	4270
8		4200	4130	4070	3420
9		3480	3350	3250	2760
10			2770	2590	2140
11			2250	2050	1670
12			1820	1610	1240
13				1240	830
14				920	460
15				740	310
Rate	8	6	4	4	4
Hook block standard				55T	
Weight of hook block				560 kg	

TOTAL RATED LIFTING LOAD FOR JIB

Working radius (m)	Without outrigger, lifting travel, boom at the front				
	Base boom 9600	Mid-extend boom 12775	Mid-extend boom 15950	Mid-extend boom 19125	Mid-extend boom 22300
	Lifting load (kg)	Lifting load (kg)	Lifting load (kg)	Lifting load (kg)	Lifting load (kg)
3	21870	19260			
3.5	20260	18340	14260		
4	19430	17320	13920	10180	8120
4.5	18470	16270	13570	10180	8120
5	17620	15120	13010	10180	8120
5.5	16270	14350	12350	10180	8120
6	15090	13390	11740	10180	8120
6.5	14710	12570	11150	9370	7780
7	12370	11440	9970	8480	7430
8	10650	9690	8820	7640	7130
9		8240	7320	6260	6160
10			6180	5210	5420
11			5290	4370	4870
12			4550	3710	4200
13				3130	3530
14				2680	2970
15				2260	2580
16					2240
17					1750
Parts	8	6	4	4	4
Hook block standard				55T	
Weight of hook block				560kg	

Boom Angle (°)	360° swing							
	Angle (°)				Angle (°)			
	Jib 9m				Jib 15m			
	0°		30°		0°		30°	
Radius	Lifting	Radius	Lifting	Radius	Lifting load	Radius	Lifting	
78	7.24	3600	10.965	2000	8.49	2400	14.945	1100
75	10.96	3600	14.52	2000	12.655	2300	18.87	1070
72	13.14	3200	16.91	1780	15.19	2180	22.81	990
70	15.17	2850	16.6	1680	18.2	2060	21.15	970
65	16.685	2250	19.93	1370	19.22	1870	24.81	930
60	20.086	1750	23.105	1180	23.085	1490	28.265	860
55	23.32	970	26.086	780	26.76	840	31.49	420
50	26.36	440			30.215	320		
Weight of hook block					90kg			

LIFTING CHART



www.powerplus.us

International Division

POWERPLUS GROUP PTE. LTD.

Powerplus Building
39 Ubi Crescent, Singapore 408587
Tel: (65) 63399333
Fax: (65) 63399933
Email: enquiry@powerplus.us

Research & Development Facility

POWERPLUS GROUP INC., U.S.A.

1521 East Grand Avenue,
California 91766, USA
Tel: (1) 909 6225 888
Fax: (1) 909 6225 828
Email: hq@powerplus.us

Distributed By:

 **POWERPLUS** is the registered TM of  **POWERPLUS GROUP INC., USA**
in the United States of America & Worldwide
All rights of manufacturer and of this book reserved. Unauthorized duplication is a violation of application law.