

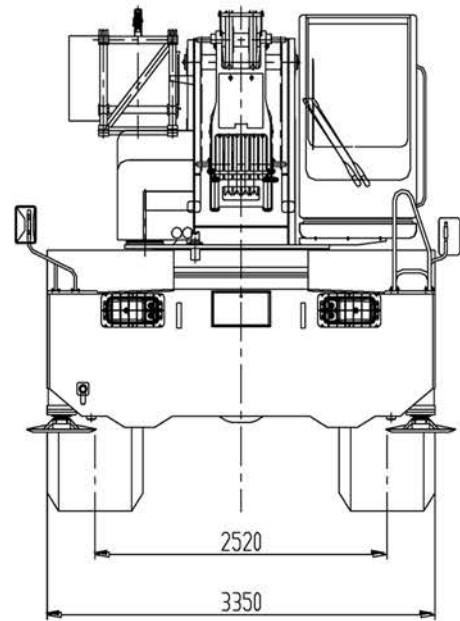
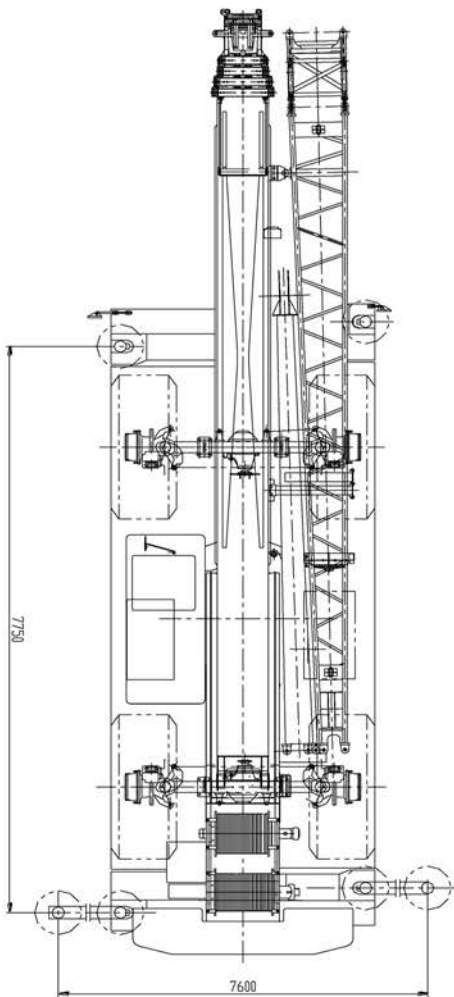
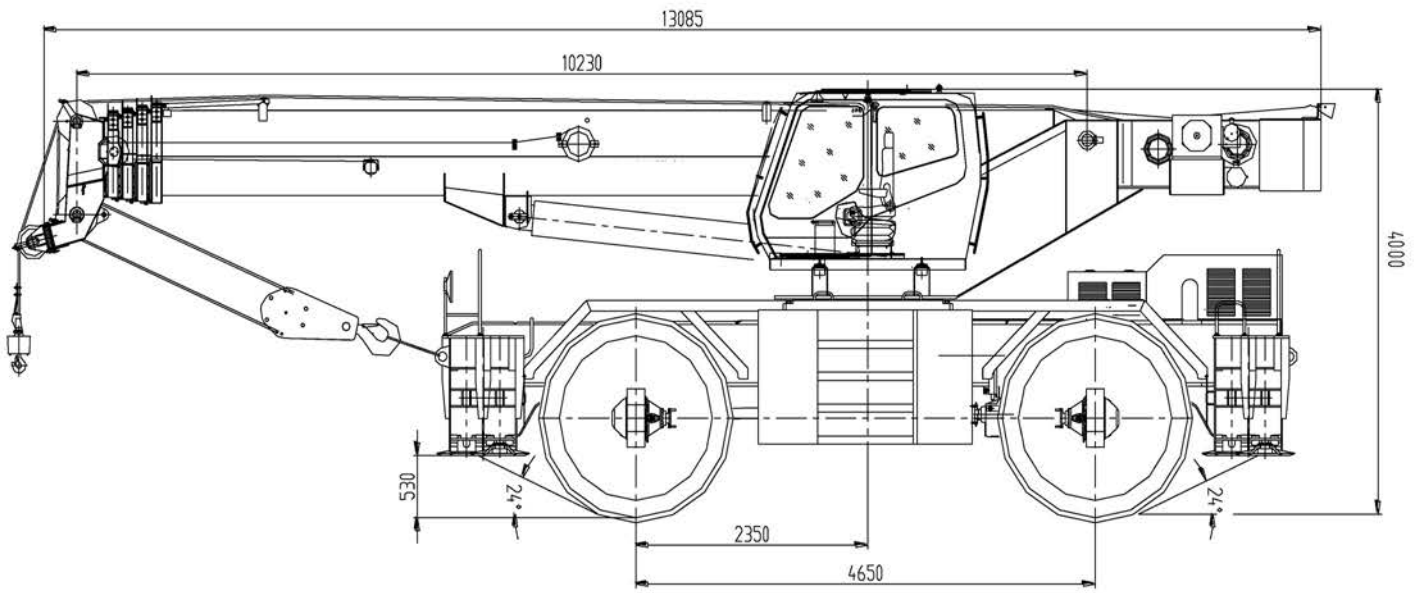


POWERPLUS[®]
POWERPLUS GROUP INC., USA



ROUGH TERRAIN CRANE
PRTC750S-V

DIMENSION



SPECIFICATION

Overall length: (mm) 13085

Overall width: (mm) 3350

Overall height: (mm) 4000

Axle base: (mm) 4650

Tread: (mm) 2520

Overall weight: (kg) 48800

Min.ground clearance: (mm) 530

Max.speed: (km/h) 35

Max.gradeability: (%) 50

Approach angle: (°) 24

Departure angle: (°) 24

ENGINE

Model: Cummins ISDE 270 30

Max. power: (HP) 270

Rated speed: (rpm) 2500

Max. torque: (N.m/rpm) 970/1400

PERFORMANCE

Max. total rated lifting load: (T) 75

Min. rated working radius: (m) 3

Turning radius at swing table tail: (mm) 4700

Swing speed: (r/min) 2

Outrigger span (Longitudinal): (m) 7.75

Outrigger span (Lateral): (m) 7.6

Base boom: (m) 10.2

Fully extended boom: (m) 37

Fully-extended boom+jib: (m) 53

Base boom: (kN.m) 2502

Fully extended boom: (kN.m) 987

BRAKE

Service / Parking brake: Hydraulic disc brake (MICO)

WORKING SPEED

Boom Derricking

Boom elevating: (sec) 85

Boom descending: (sec) 85

Boom telescoping

Boom fully extended: (sec) 125

Boom fully retracting: (sec) 95

TRANSMISSION

Transmission type: Electrical controlled shifting

No. of Gears: 4 Forward, 3 Reverse

Drive Axle: 4 Wheel Drive

AXLE

Brand: Kessler (Germany)

Front axle weight: (kg) 22550

Rear axle weight: (kg) 26250

TIRE

Size: 29.5R25



TOTAL RATED LIFTING LOAD FOR BOOM

Radius (m)	OUTRIGGERS FULLY EXTENDED, 360° ROTATION				
	10.2(m)	16.9(m)	23.6(m)	30.3(m)	37(m)
	Lifting (kg)	Lifting (kg)	Lifting (kg)	Lifting (kg)	Lifting (kg)
3	75000	56000			
3.5	70000	56000			
4	61500	50370			
4.5	55600	45620	24500		
5	49900	41350	24000		
5.5	44100	38460	23850	18200	
6	39200	35820	23750	18200	
6.5	34500	33740	23500	18200	
7	31200	29610	23400	18200	11200
8	25900	27130	20300	16870	10690
9		23885	17600	14780	10030
10		18240	15460	13260	9550
11		15780	13600	12150	8970
12		13640	12050	10430	8160
13		11490	10660	9070	7350
14			9580	7880	6680
15			8430	6910	6020
16			7430	6080	5380
17			6540	5390	4670
18			5810	4820	4190
19			4850	4180	3210
20			4250	3750	2320
22				3240	1840
24				2820	1520
26				2160	1170
28					940
30					720
Rate	12	12	8	4	4
Hook standard	75T				
Hook weight	620kg				

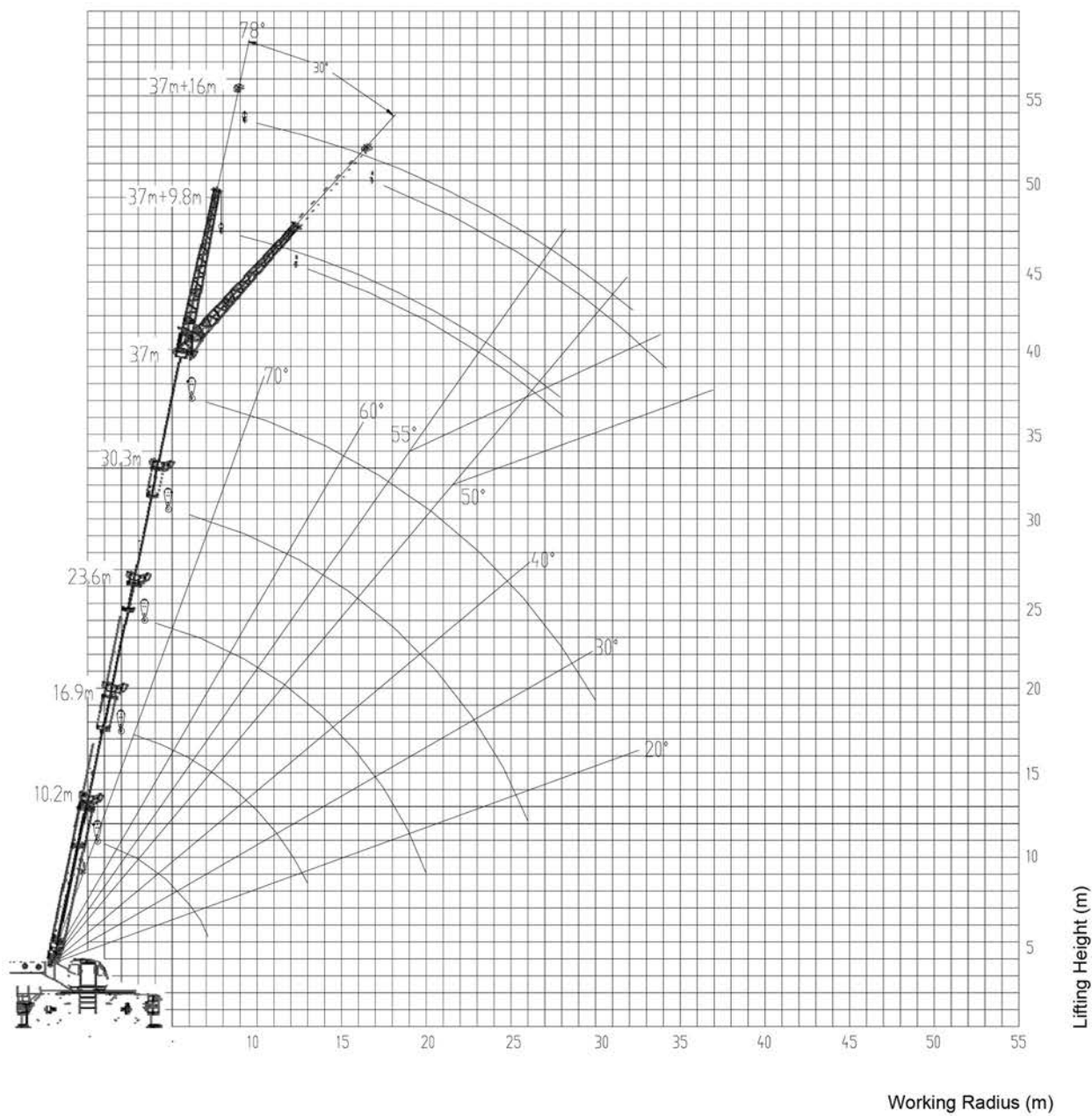
Radius (m)	360° ROTATION				
	10.2(m)	13.35(m)	16.9(m)	20.25(m)	23.6(m)
	Lifting (kg)	Lifting (kg)	Lifting (kg)	Lifting (kg)	Lifting (kg)
3	24100	19500			
3.5	21000	19500			
4	17300	16650	14150		
4.5	14350	14050	12430		
5	12000	11800	11500	8160	
5.5	10250	10120	10000	7420	
6	8850	8730	8620	7020	6150
6.5	7800	7620	7210	5900	5640
7	6840	6870	6170	5380	4650
8	5870	5390	5270	4370	3690
9		4300	4200	3350	2970
10		3420	3360	2720	2290
11		2770	2700	2250	1680
12			2170	1870	1240
13			1720	1410	980
14			1340	1210	740
15				960	400
Rate	8	6	4	4	4
Hook standard	75T				
Hook weight	620kg				

Radius (m)	OVER FRONT				
	TRAVEL SPEED: ≤2Km/h				
	10.2(m)	13.35(m)	13.9(m)	20.25(m)	23.6(m)
	Lifting (kg)	Lifting (kg)	Lifting (kg)	Lifting (kg)	Lifting (kg)
3	25170	21190			
3.5	23320	20544			
4	21610	19563	15210		
4.5	20725	18475	14848	10859	8660
5	19700	17355	14475	10859	8660
5.5	18795	16128	13877	10760	8660
6	17355	15307	13173	10570	8570
6.5	16096	14283	12523	10310	8410
7	15691	13408	11893	9974	8260
8	13195	12200	10635	9045	7920
9	11360	10336	9408	8149	7605
10		8789	7808	7303	6570
11			6592	6177	5781
12			5642	5245	5194
13			4853	4532	4480
14					3765
15					3168
16					2752
17					2389
18					1866
Rate	8	6	4	4	4
Hook standard	75T				
Hook weight	620kg				

TOTAL RATED LIFTING LOAD FOR JIB

Boom - angle (°)	OUTRIGGER FULLY EXTENDED, 360° ROTATION							
	FULLY EXTENDED BOOM 37m, JIB 9.8-16m							
	JIB ANGLE (°)							
	0°		30°		0°		30°	
	radius (m)	lifting(kg)	radius (m)	lifting(kg)	radius (m)	lifting(kg)	radius (m)	lifting(kg)
78	7.717	3600	11.177	1800	9.277	2400	15.689	1050
75	9.884	3500	13.29	1750	11.915	2200	18.147	940
72	12.197	3100	15.539	1630	14.515	2050	20.55	860
70	13.66	2700	16.952	1510	16.223	1930	22.118	780
65	17.22	2100	20.29	1230	20.39	1680	25.9	730
60	20.635	1620	23.635	1020	24.835	1340	29.474	410
55	23.876	830	26.693	640	28.178	710	32.804	180
50	26.918	320			31.74	240		
Hook standard	5T							
Hook weight	110kg							

■ LIFTING CHART



www.powerplus.us

International Division

POWERPLUS GROUP PTE. LTD.

Powerplus Building
39 Ubi Crescent, Singapore 408587
Tel: (65) 63399333
Fax: (65) 63399933
Email: enquiry@powerplus.us

Research & Development Facility

POWERPLUS GROUP INC., U.S.A.

1521 East Grand Avenue,
California 91766, USA
Tel: (1) 909 6225 888
Fax: (1) 909 6225 828
Email: hq@powerplus.us

Distributed By:

 **POWERPLUS** is the registered TM of  **POWERPLUS GROUP INC., USA**
in the United States of America & Worldwide
All rights of manufacturer and of this book reserved. Unauthorized duplication is a violation of application law.