



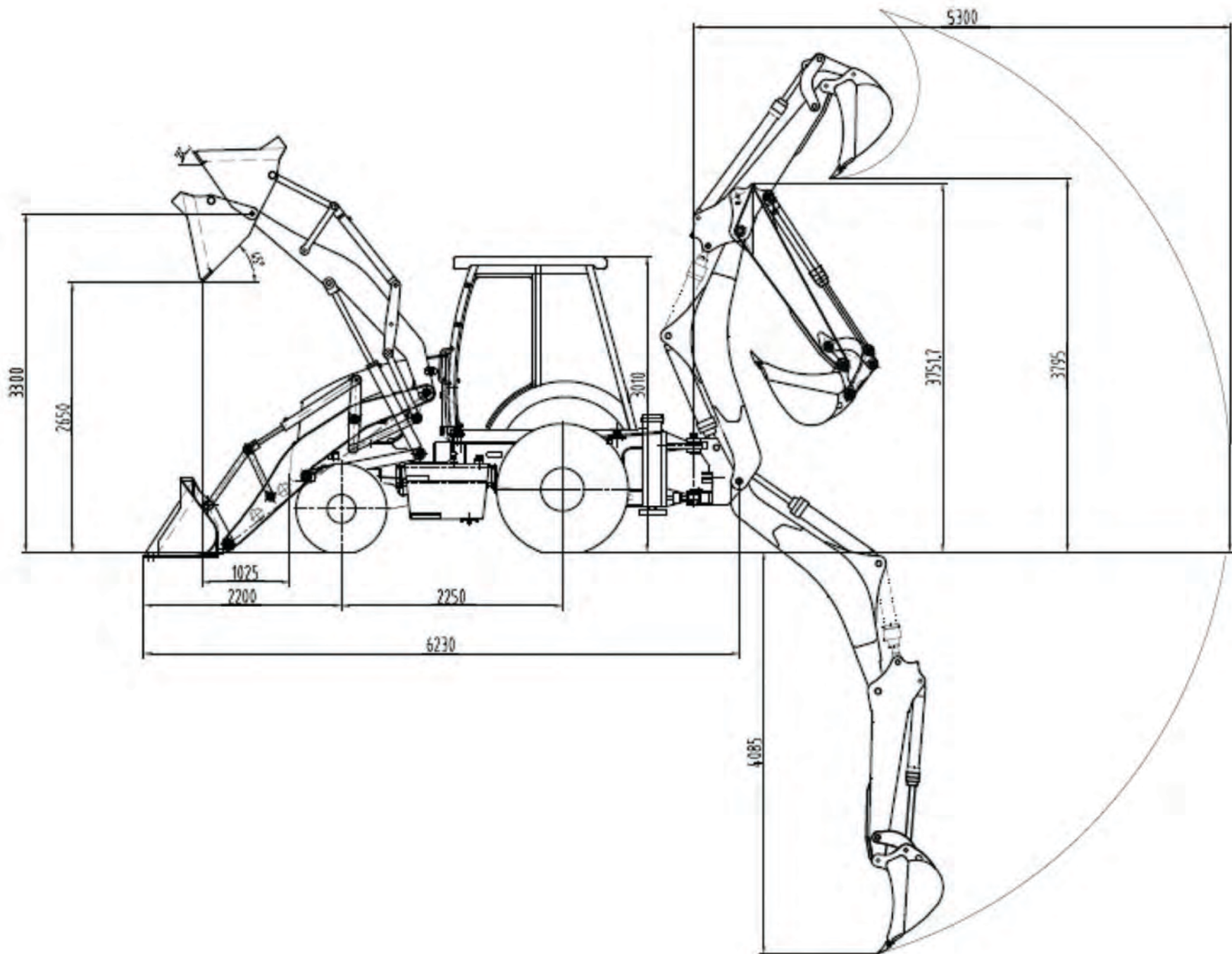
POWERPLUS[®]
POWERPLUS GROUP INC., USA



BACKHOE LOADER
PBL480R

BACKHOE LOADER TECHNICAL SPECIFICATIONS

■ PERFORMANCE



■ INTERIOR CABIN



POWERPLUS
POWERPLUS GROUP INC., USA

As our products are upgraded periodically, we reserve all rights to change any information without prior notice.

PBL480R

■ MAIN SPECIFICATIONS

Length: (mm) 6230
Width: (mm) 2365
Height: (mm) 3752
Operating weight: (kg) 8200
Wheelbase (mm) 2250
Min. ground clearance: (mm) 300

■ LOADER PERFORMANCE

Bucket capacity: (m³) 1.0
Breakout force : (kN) 38
Loading lifting capacity: (kg) 2500
Bucket pin height: (mm) 3300
Bucket dumping distance: (mm) 1025
Digging depth: (mm) 52

■ BACKHOE PERFORMANCE

Backhoe capacity: (m³) 0.2
Max. digging depth: (mm) 4085
Max. digging reach: (mm) 5300
Bucket width: (mm) 700
Maximum pulling force : (kN) 39

■ POWERPLUS ENGINE

Type: Diesel 4 stroke 4 cylinders water cooled
Displacement: (L) 4.7
Rated power: (HP) 100
Rated speed: (rpm) 2200

■ TRANSMISSION SYSTEM

Model: FUJI (Japan)
Torque Converter Cooling type: Pressure oil circulating
Transmission case type: Countershaft powershift
Gear shift position: 2 Forward & 2 Reverse
Max. Efficiency: (%) 84.4

■ STEERING SYSTEM

Hydraulic steering angle: (°) 36
Min. Turning Radius: (mm) 6581

■ AXLE AND TIRE

Model: FUJI (Japan)
Type of main reducer: Spiral bevel gear, single stage
Type of final reducer: Single stage planetary
Max. steering angle : (°) 55
Front tire: 14-17.5
Rear tire: 19.5L-24
Front/Rear wheel pressure: (MPa) 0.22
Axle Drive: 4x4

■ BRAKE SYSTEM

Service brake: Air over oil caliper brake
Emergency brake: Manual

■ OTHERS

ROPS Canopy, Hour meter, Engine temperature gauge, Engine oil pressure gauge, Battery charging Indicator, Fuel gauge, 12 V. Electric system





www.powerplus.us

POWERPLUS GROUP PTE. LTD.
Powerplus Building
39 Ubi Crescent, Singapore 408587
Tel: (65) 63399333
Fax: (65) 63399933
Email: enquiry@powerplus.us

Research & Development Facility

POWERPLUS GROUP INC., U.S.A.
1521 East Grand Avenue,
California 91766, USA
Tel: (1) 909 6225 888
Fax: (1) 909 6225 828
Email: hq@powerplus.us

Distributed By:

 **POWERPLUS** is the registered TM of  **POWERPLUS GROUP INC., USA**
in the United States of America & Worldwide

All rights of manufacturer and of this book reserved. Unauthorized duplication is a violation of application law.