



**POWERPLUS**<sup>®</sup>  
POWERPLUS GROUP INC., USA

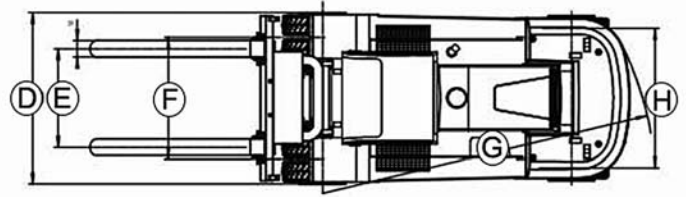
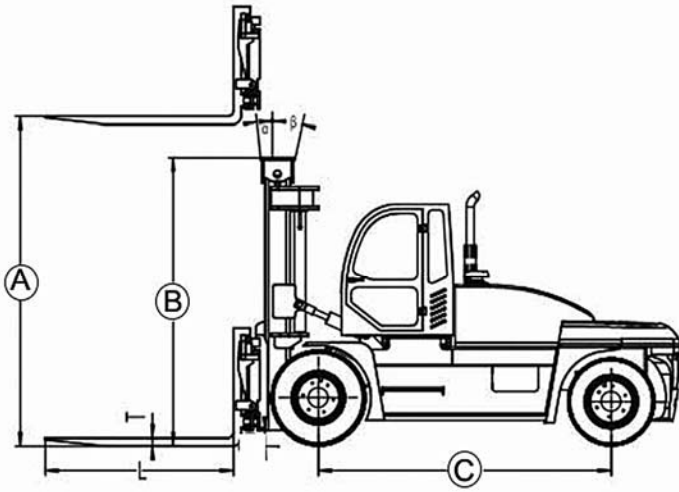


**DIESEL FORKLIFT**  
**PFD1600S-III**

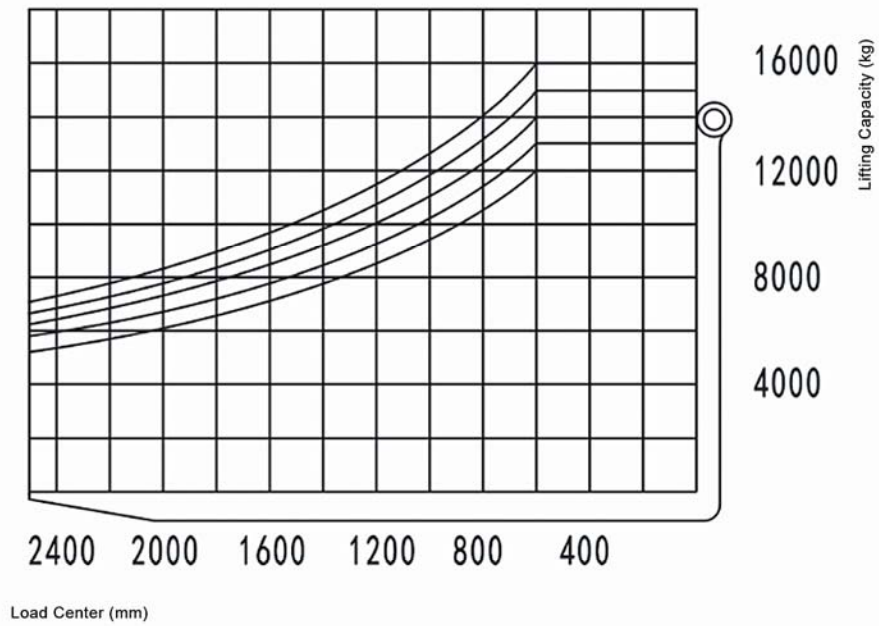
# DIESEL FORKLIFT

## TECHNICAL SPECIFICATIONS

### DIMENSION



### LOAD CHART



**POWERPLUS**  
POWERPLUS GROUP INC., USA



# DIESEL FORKLIFT

## TECHNICAL SPECIFICATIONS

MODEL		PFD1600S-III	
Load Capacity	kg	16000	
Lifting Height	mm	A	3000
Free Lift Height	mm	0	
Load Center	mm	600	
Gradeability (laden)	%	20	
Power Type		Diesel	
<b>ENGINE</b>			
Model		CUMMINS 6BT5.9-C130	
Rated Power	HP	130	
Rated Speed	rpm	2200	
Emission		Euro II	
<b>DIMENSION</b>			
Fork Size (LxWxT)	mm	1200 x 180 x 90	
Overall Length (with fork)	mm	6355	
Overall Width	mm	D	2250
Overall Height (mast lowered)	mm	B	3140
Overall Height (overhead guard)	mm	3040	
Regulating range		380-1825	
Wheelbase	mm	C	3300
Front Tread	mm	F	1740
Rear Tread	mm	H	2013
Ground Clearance	mm	225	
Minimum Turning Radius	mm	G	4450
Total Weight	kg	19800	
<b>SPEED</b>			
Lifting Speed (laden)	mm/s	205	
Lowering Speed (laden)	mm/s	435	
Travelling Speed (laden)	km/h	23	
<b>TIRES</b>			
Tire Size (Front)		12.00-20-16PR	
Tire Size (Rear)		11.00-20-16PR	
<b>BRAKE SYSTEM</b>			
Service Brake		Clamp Disc Brake	
Parking Brake		Hydraulic Spring Brake	



**POWERPLUS**  
POWERPLUS GROUP INC., USA

WWW.POWERPLUS.US

### **International Division**

**POWERPLUS GROUP PTE. LTD.**

Powerplus Building  
39 Ubi Crescent, Singapore 408587  
Tel: (65) 63399333  
Fax: (65) 63399933  
Email: enquiry@powerplus.us

### **Research & Development Facility**


**POWERPLUS GROUP INC., U.S.A.**

2130 N. Arrowhead Avenue,  
San Bernardino, CA 92405, USA  
Tel: (1) 909 300 3333  
Fax: (1) 909 323 3333  
Email: hq@powerplus.us

Distributed By:

 **POWERPLUS** is the registered TM of  **POWERPLUS GROUP INC., USA**  
In the United States of America & Worldwide

All rights of manufacturer and of this book reserved. Unauthorized duplication is a violation of application law.

Part of:  **WORLDWIDE TECHNO-EQUIPMENT GROUP (1973) PTE. LTD.**